

Take Control<sup>®</sup>  
**ION**<sup>®</sup>  
Products



# 2014 Full Product Catalog

Pumps Controllers Packages Systems Accessories



37 Forestwood Dr., Romeoville, IL 60446 [www.ionproducts.net](http://www.ionproducts.net) [815] 886-9200

# Table of Contents

Sump Pumps

Effluent Pumps

Sewage Ejector Pumps

High Head Sewage Ejector Pumps

Special Application Pumps

Ion+ Sump Pumps

Ion+ Sewage Ejector Pumps

Controllers

Ion Endeavor Pump Packages

Battery Backup Systems

Accessories

Basin Packages

**004**

**016**

**024**

**040**

**050**

**058**

**066**

**070**

**078**

**084**

**106**

**110**

Take Control.  
**ION**  
StormPro.



# WC33i

## Sump Pump

- Basement Sump
- Septic Tank Effluent
- Dewatering



37 Forestwood Dr., Romeoville, IL 60446 [www.ionproducts.net](http://www.ionproducts.net) [815] 886-9200

Patent No. 8,591,198

# WC33i

Sump Pump

## System Specifications

- Typical Applications
- Basement sump
  - Dewatering
  - Septic tank effluent

Maximum Capacity Up to 45 GPM

Maximum Head Up to 24'

Electrical Data 115 V, 1  $\emptyset$ , 4 FLA, 60 Hz

Motor Data  $\frac{1}{3}$  HP, 3450 RPM

Recommended Minimum Basin Size 18" x 24"

Automatic Operation i: Ion Digital Level Control (standard)  
V: Vertical

Manual Operation M: Manual

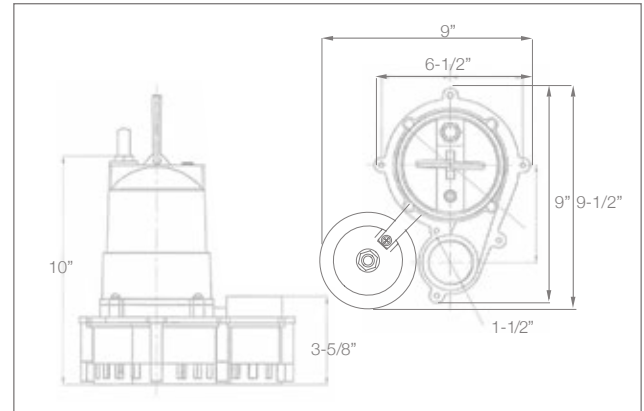
Materials of Construction Cast iron & engineered thermoplastic

Power Cord 10' Standard

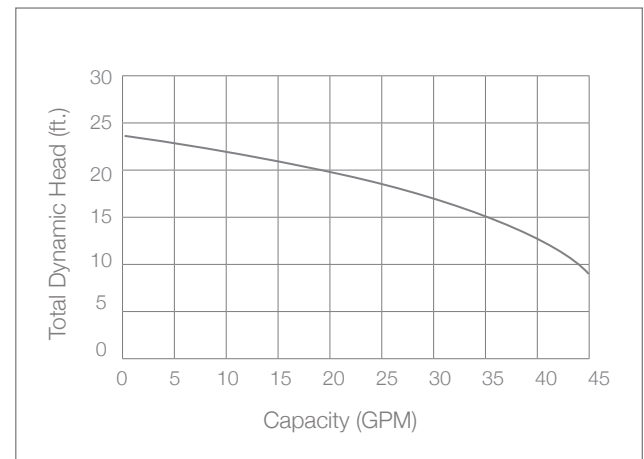
Discharge 1 $\frac{1}{2}$ " NPT

Solids  $\frac{1}{2}$ "

## Pump Dimensions



## Pump Performance



## Features

- Carbon ceramic mechanical seal
- Oil-filled high efficiency PSC motor that uses half the AC power of most  $\frac{1}{3}$  HP pumps
- Piggyback Ion<sup>®</sup> digital level control switch has no moving parts (standard)
- Size allows 2 pumps in 18" basin
- 3 year warranty

Take Control.  
**ION**  
StormPro.



# S33i

## Sump Pump

- Basement Sump
- Septic Tank Effluent
- Dewatering



37 Forestwood Dr., Romeoville, IL 60446 [www.ionproducts.net](http://www.ionproducts.net) [815] 886-9200

Patent No. 8,591,198

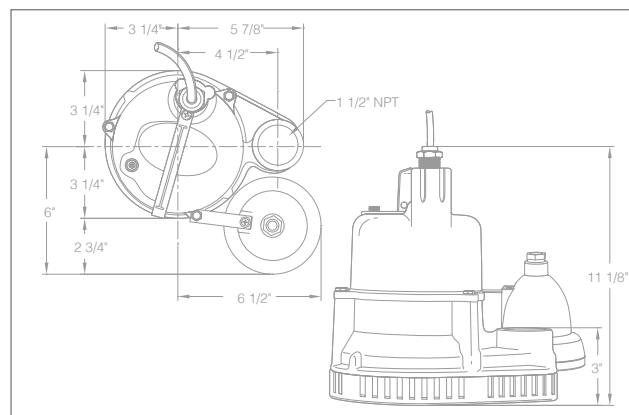
# S33i

## Sump Pump

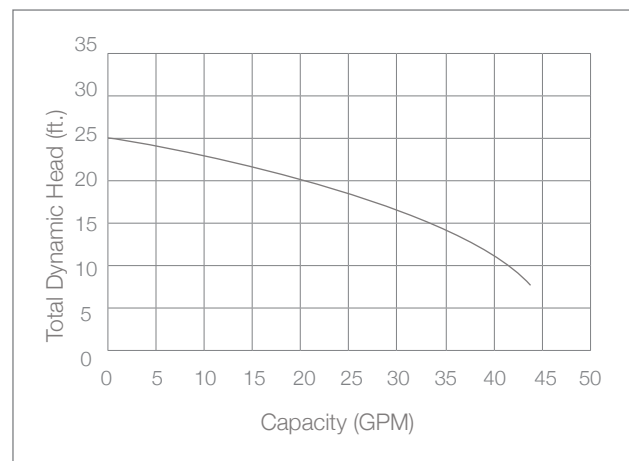
### System Specifications

Typical Applications	<ul style="list-style-type: none"><li>• Basement sump</li><li>• Dewatering</li><li>• Septic tank effluent</li></ul>
Maximum Capacity	Up to 44 GPM
Maximum Head	Up to 25'
Electrical Data	115 V, 1 $\emptyset$ , 10 FLA, 60 Hz
Motor Data	1/3 HP, 1550 RPM
Recommended Minimum Basin Size	18" x 24"
Automatic Operation	i: Ion Digital Level Control (standard) W: Wide angle float V: Vertical float
Manual Operation	M: Manual
Materials of Construction	Cast iron & engineered thermoplastic
Impeller	Thermoplastic vortex
Power Cord	10' Standard (20' opt.)
Discharge Size	1 1/2" NPT
Solids Handling	1/2"

### Pump Dimensions



### Pump Performance



### Features

- Carbon ceramic mechanical seal
- Oil-filled motor with automatic reset thermal overload
- Uses single-row ball bearing construction
- Piggy back Ion® digital level control switch has no moving parts (standard)
- 3 year warranty

Take Control.  
**ION**  
StormPro®



# S50i

## Sump Pump

- Basement Sump
- Septic Tank Effluent
- Dewatering



37 Forestwood Dr., Romeoville, IL 60446 [www.ionproducts.net](http://www.ionproducts.net) [815] 886-9200

Patent No. 8,591,198



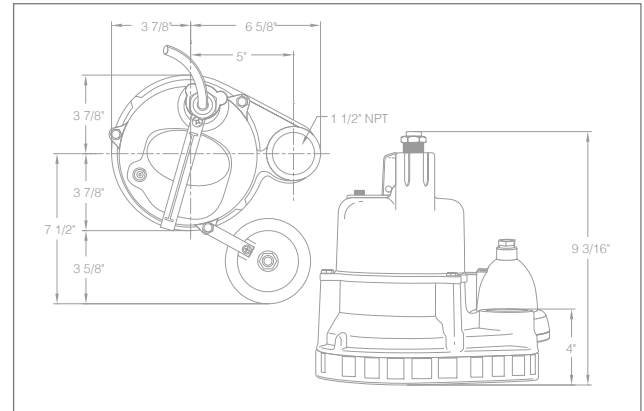
# S50i

## Sump Pump

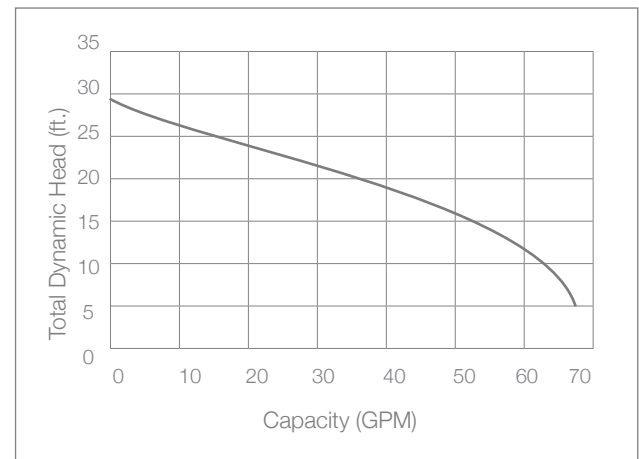
### System Specifications

Typical Applications	<ul style="list-style-type: none"> <li>• Basement sump</li> <li>• Dewatering</li> <li>• Septic tank effluent</li> </ul>
Maximum Capacity	Up to 65 GPM
Maximum Head	Up to 29'
Electrical Data	115 V, 1 Ø, 12 FLA, 60 Hz
Motor Data	½ HP, 1550 RPM
Recommended Minimum Basin Size	18" x 24"
Automatic Operation	i: Ion Digital Level Control (standard) W: Wide angle float V: Vertical float
Manual Operation	M: Manual
Materials of Construction	Cast iron & engineered thermoplastic
Impeller	Thermoplastic vortex
Power Cord	10' Standard (20' opt.)
Discharge Size	1½" NPT
Solids Handling	¾"

### Pump Dimensions



### Pump Performance



### Features

- Carbon ceramic mechanical seal
- Oil-filled high efficiency PSC motor
- Uses single-row ball-bearing construction
- Piggy back Ion® digital level control switch has no moving parts (standard)
- 3 year warranty

Take Control.  
**ION**  
StormPro®



# BA33i

Sump Pump

- Basement Sump
- Dewatering



37 Forestwood Dr., Romeoville, IL 60446 [www.ionproducts.net](http://www.ionproducts.net) [815] 886-9200

Patent No. 8,591,198

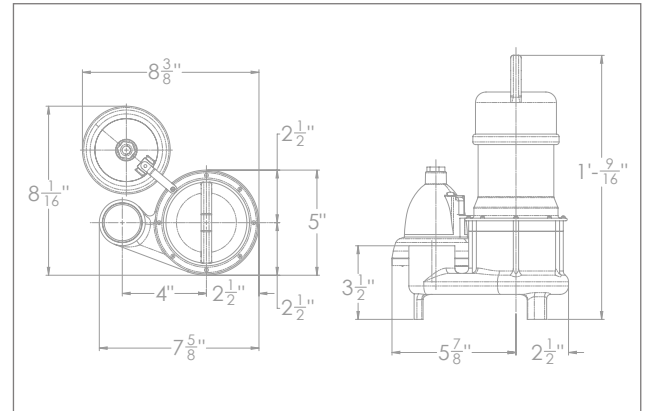
# BA33i

Sump Pump

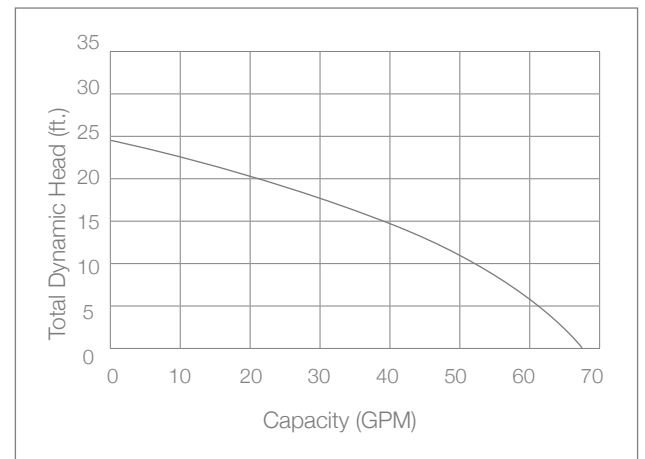
## System Specifications

Typical Applications	<ul style="list-style-type: none"><li>• Basement sump</li><li>• Dewatering</li></ul>
Maximum Capacity	Up to 68 GPM
Maximum Head	Up to 25'
Electrical Data	115 V, 1 Ø, 4.5 FLA, 60 Hz
Motor Data	1/3 HP, 3450 RPM
Recommended Minimum Basin Size	18" x 24"
Automatic Operation	i: Ion Digital Level Control (standard) SPI: Vertical float
Manual Operation	M: Manual
Materials of Construction	Cast iron & stainless steel
Impeller	Thermoplastic vortex
Power Cord	10' Standard
Discharge Size	1 1/2" NPT
Solids Handling	1/2"

## Pump Dimensions



## Pump Performance



## Features

- Energy efficient motor
- Carbon ceramic mechanical seal
- Thermal overload protection
- Piggy back Ion® digital level control switch has no moving parts (standard)
- Stainless steel screen prevents debris from entering the pump
- 3 year warranty

Take Control.  
**ION**  
StormPro



# BA50i

## Sump Pump

- Basement Sump
- Dewatering



37 Forestwood Dr., Romeoville, IL 60446 [www.ionproducts.net](http://www.ionproducts.net) [815] 886-9200

Patent No. 8,591,198

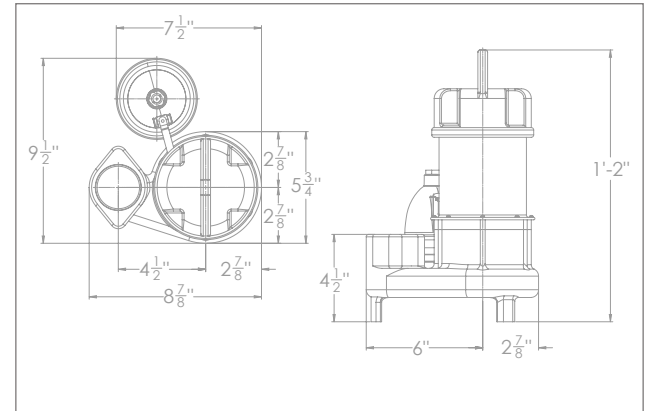
# BA50i

Sump Pump

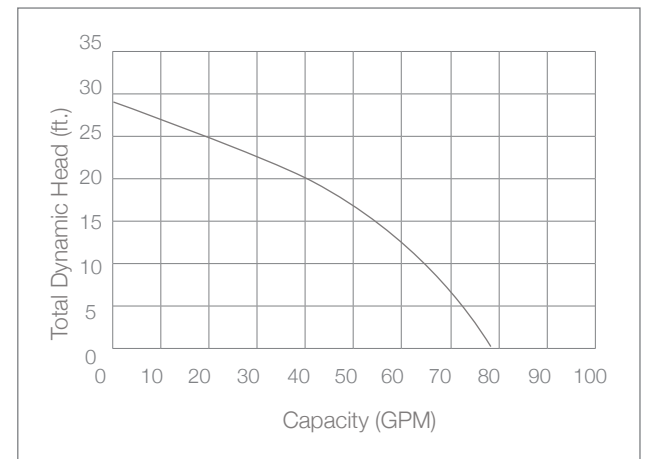
## System Specifications

Typical Applications	<ul style="list-style-type: none"><li>• Basement sump</li><li>• Dewatering</li></ul>
Maximum Capacity	Up to 78 GPM
Maximum Head	Up to 29'
Electrical Data	115 V, 1 $\emptyset$ , 5.8 FLA, 60 Hz
Motor Data	1/2 HP, 3450 RPM
Recommended Minimum Basin Size	18" x 24"
Automatic Operation	i: Ion Digital Level Control (standard) SPI: Vertical float
Manual Operation	M: Manual
Materials of Construction	Cast iron & stainless steel
Impeller	Cast iron vortex
Power Cord	10' Standard (20' optional)
Discharge Size	2" NPT
Solids Handling	1/2"

## Pump Dimensions



## Pump Performance



## Features

- Energy efficient motor
- Carbon ceramic mechanical seal
- Thermal overload protection
- Piggy back Ion® digital level control switch has no moving parts (standard)
- Stainless steel screen prevents debris from entering the pump
- 3 year warranty

Take Control.  
**ION**  
StormPro®



# BA75i

Sump Pump

- Basement Sump
- Dewatering



37 Forestwood Dr., Romeoville, IL 60446 [www.ionproducts.net](http://www.ionproducts.net) [815] 886-9200

Patent No. 8,591,198

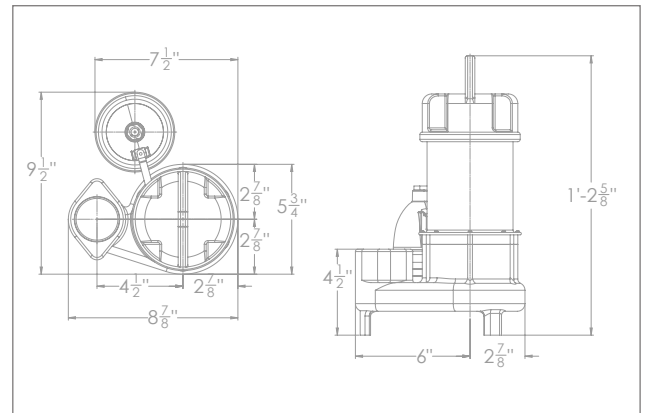
# BA75i

Sump Pump

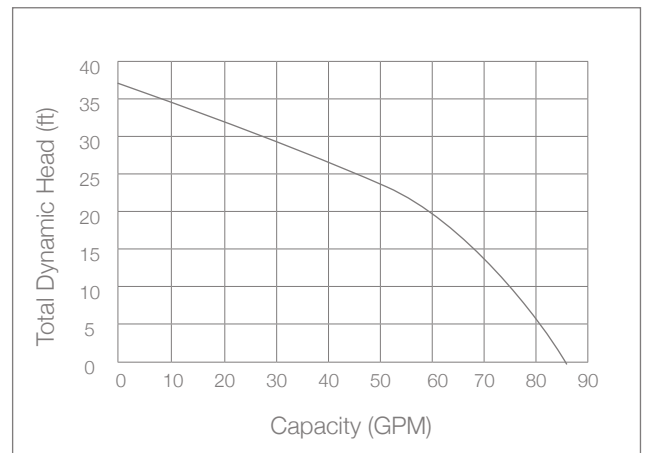
## System Specifications

Typical Applications	<ul style="list-style-type: none"><li>• Basement sump</li><li>• Dewatering</li></ul>
Maximum Capacity	Up to 85 GPM
Maximum Head	Up to 37'
Electrical Data	115 V, 1 Ø, 7.5 FLA, 60 Hz
Motor Data	¾ HP, 3450 RPM
Minimum Sump Diameter	18"
Automatic Operation	i: Ion Digital Level Control (standard) SPI: Vertical float
Manual Operation	M: Manual
Materials of Construction	Cast iron & stainless steel
Impeller	Cast iron vortex
Power Cord	20' Standard
Discharge Size	2" NPT
Solids Handling	½"

## Pump Dimensions



## Pump Performance



## Features

- Energy efficient motor
- Carbon ceramic mechanical seal
- Thermal overload protection
- Piggy back Ion® digital level control switch has no moving parts (standard)
- Stainless steel screen prevents debris from entering the pump
- 3 year warranty

Take Control.  
**ION**  
StormPro®



# SP50i

## Effluent Pump

- Basement Sump
- Septic Tank Effluent
- Elevator Pit
- Continuous Duty Rated



37 Forestwood Dr., Romeoville, IL 60446 [www.ionproducts.net](http://www.ionproducts.net) [815] 886-9200

Patent No. 8,591,198



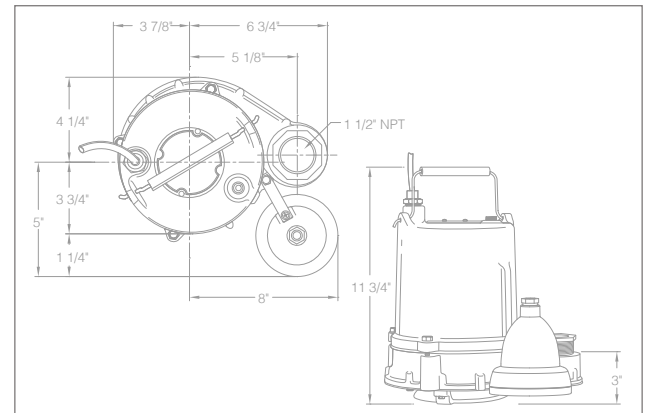
# SP50i

Sump Pump

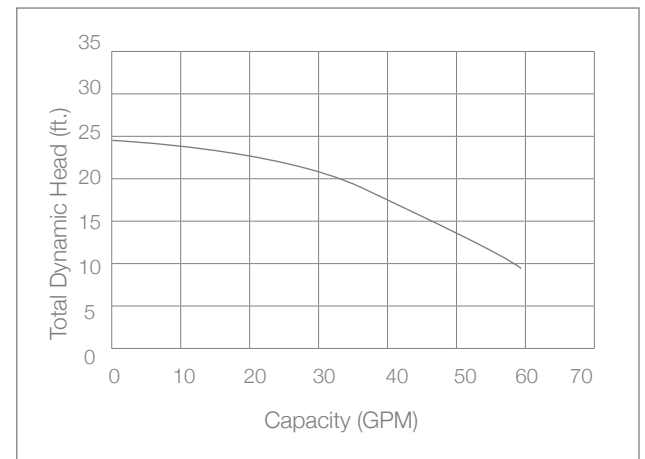
## System Specifications

Typical Applications	<ul style="list-style-type: none"><li>• Effluent</li><li>• Dewatering</li></ul>
Maximum Capacity	Up to 60 GPM
Maximum Head	Up to 25'
Electrical Data	115 V, 1 Ø, 9.5 FLA, 60 Hz 230 V, 1 Ø, 5.2 FLA, 60 Hz
Motor Data	½ HP, 1750 RPM
Intermittent Liquid Temperature	140° F.
Recommended Minimum Basin Size	18" x 24"
Automatic Operation	i: Ion digital level control W: Wide angle float SJ: SJ float
Manual Operation	M: Manual
Materials of Construction	Class 30 cast iron
Impeller	Thermoplastic vortex
Power Cord	10' Standard (20' optional)
Discharge Size	1½" NPT 2" NPT
Solids Handling	⅝"

## Pump Dimensions



## Pump Performance



## Features

- Carbon ceramic mechanical seal
- Oil-filled motor with automatic reset thermal overload protection
- Upper and lower single-row ball-bearing construction
- Piggy back Ion® digital level control switch has no moving parts (standard)
- 3 year warranty

Take Control.  
**ION**  
StormPro®



# EF40i

## Effluent Pump

- Septic tank effluent
- Dewatering
- High head sump



37 Forestwood Dr., Romeoville, IL 60446 [www.ionproducts.net](http://www.ionproducts.net) [815] 886-9200

Patent No. 8,591,198

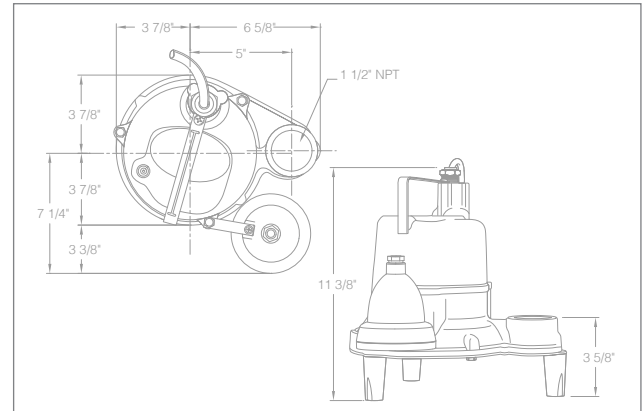
# EF40i

## Effluent Pump

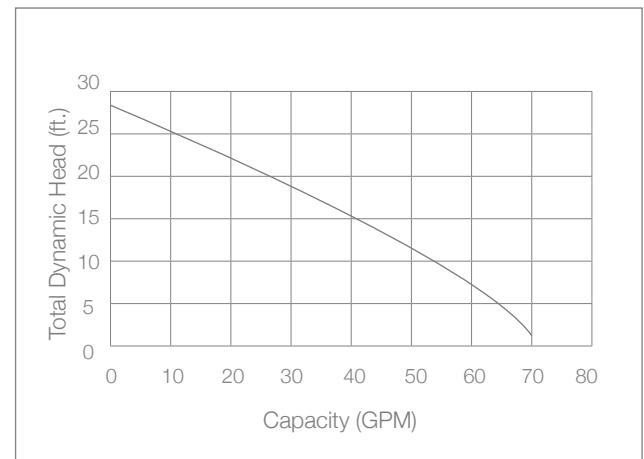
### System Specifications

Typical Applications	<ul style="list-style-type: none"> <li>• Septic tank effluent</li> <li>• Dewatering</li> <li>• High head sump</li> </ul>
Maximum Capacity	Up to 70 GPM
Maximum Head	Up to 27'
Electrical Data	115 V, 1 Ø, 12 FLA, 60 Hz
Motor Data	¼ HP, 1550 RPM
Intermittent Liquid Temperature	120° F
Recommended Minimum Basin Size	18" x 24"
Automatic Operation	i: Ion Digital Level Control (standard) W: Wide angle float M: Manual
Manual Operation	M: Manual
Materials of Construction	Class 30 cast iron
Impeller	Thermoplastic vortex
Power Cord	20' Standard
Discharge	1½" NPT
Solids Handling	¾"

### Pump Dimensions



### Pump Performance



### Features

- Carbon ceramic mechanical seal
- Automatic reset thermal overload for maximum protection
- Lower single-row ball-bearing construction
- Piggy back Ion® digital level control switch has no moving parts (standard)
- 3 year warranty

Take Control.  
**ION**  
StormPro



# EF50

## Effluent Pump

- Septic tank effluent
- Dewatering
- High head sump



37 Forestwood Dr., Romeoville, IL 60446 [www.ionproducts.net](http://www.ionproducts.net) [815] 886-9200

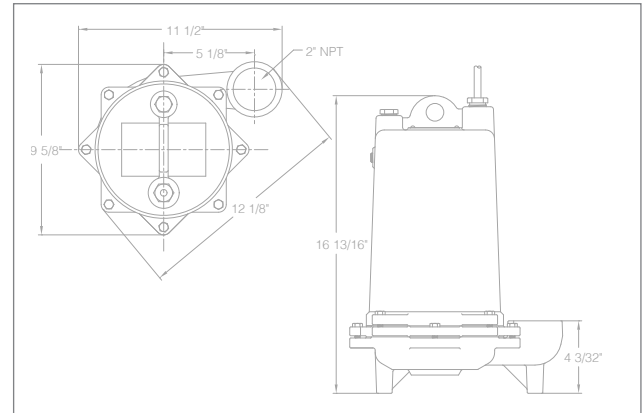
# EF50

## Effluent Pump

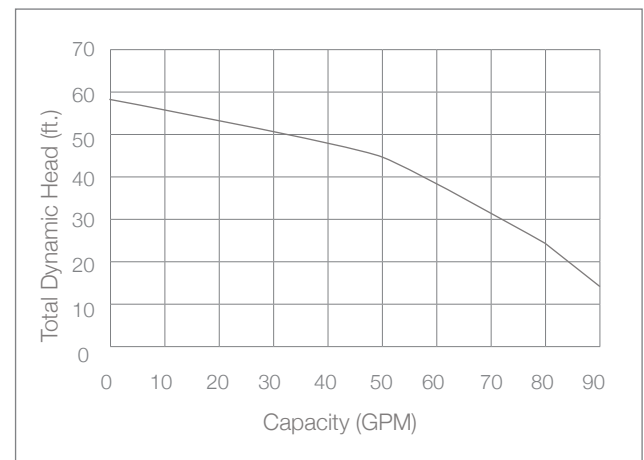
### System Specifications

Typical Applications	<ul style="list-style-type: none"><li>• Septic tank effluent</li><li>• Dewatering</li><li>• High head sump</li></ul>
Maximum Capacity	Up to 90 GPM
Maximum Head	Up to 57'
Electrical Data	<ul style="list-style-type: none"><li>• 115 V, 1 Ø, 12.1 FLA, 60 Hz</li><li>• 200 V, 1 Ø, 6.7 FLA, 60 Hz</li><li>• 230 V, 1 Ø, 6.0 FLA, 60 Hz</li><li>• 200 V, 3 Ø, 3.5 FLA, 60 Hz</li><li>• 230 V, 3 Ø, 3.2 FLA, 60 Hz</li><li>• 460 V, 3 Ø, 1.6 FLA, 60 Hz</li></ul>
Motor Data	½ HP, 3450 RPM
Intermittent Liquid Temperature	140° F
Recommended Minimum Basin Size	18" x 24"
Automatic Operation	i: Ion Digital Level Control W: Wide angle float
Manual Operation	M: Manual (standard)
Materials of Construction	Cast iron
Impeller	Cast iron enclosed non-clog
Power Cord	20' Standard
Discharge	2" NPT
Solids Handling	¾"

### Pump Dimensions



### Pump Performance



### Features

- Carbon ceramic mechanical seal
- Automatic reset thermal overload for maximum protection (single phase models)
- Capacitor start for increased starting torque (single phase models)
- Lower single-row ball-bearing construction
- Piggy back plug for easy maintenance and switch replacement
- 3 year warranty

Take Control.  
**ION**  
StormPro®



# EF100

## Effluent Pump

- Septic tank effluent
- Dewatering
- High head sump



37 Forestwood Dr., Romeoville, IL 60446 [www.ionproducts.net](http://www.ionproducts.net) [815] 886-9200

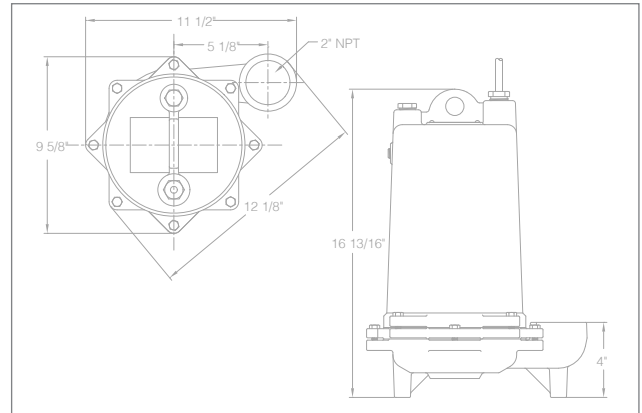
# EF100

Effluent Pump

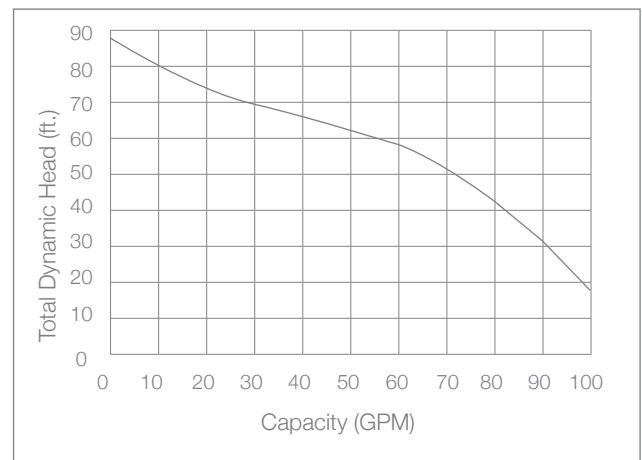
## System Specifications

Typical Applications	<ul style="list-style-type: none"><li>• Septic tank effluent</li><li>• Dewatering</li><li>• High head sump</li></ul>
Maximum Capacity	Up to 100 GPM
Maximum Head	Up to 88'
Electrical Data	<ul style="list-style-type: none"><li>• 200 V, 1 Ø, 10.3 FLA, 60 Hz</li><li>• 230 V, 1 Ø, 9.3 FLA, 60 Hz</li><li>• 200 V, 3 Ø, 6.6 FLA, 60 Hz</li><li>• 230 V, 3 Ø, 6.0 FLA, 60 Hz</li><li>• 460 V, 3 Ø, 3.0 FLA, 60 Hz</li></ul>
Motor Data	1 HP, 3450 RPM
Intermittent Liquid Temperature	140° F
Recommended Minimum Basin Size	18" x 30"
Manual Operation	M: Manual (standard)
Automatic Operation	W: Wide angle float
Materials of Construction	Cast iron
Impeller	Cast iron enclosed non-clog
Power Cord	20' Standard
Discharge	2" NPT

## Pump Dimensions



## Pump Performance



## Features

- Carbon ceramic mechanical seal
- Automatic reset thermal overload for maximum protection (single phase models)
- Capacitor start for increased starting torque (single phase models)
- Lower single-row ball-bearing construction
- Piggy back plug for easy maintenance and switch replacement
- 3 year warranty

Take Control.  
**ION**  
StormPro®



# X-ONEi

Submersible All In One Pump

- Basement Sump
- Septic Tank Effluent
- Sewage Ejector



37 Forestwood Dr., Romeoville, IL 60446 [www.ionproducts.net](http://www.ionproducts.net) [815] 886-9200

Patent No. 8,591,198



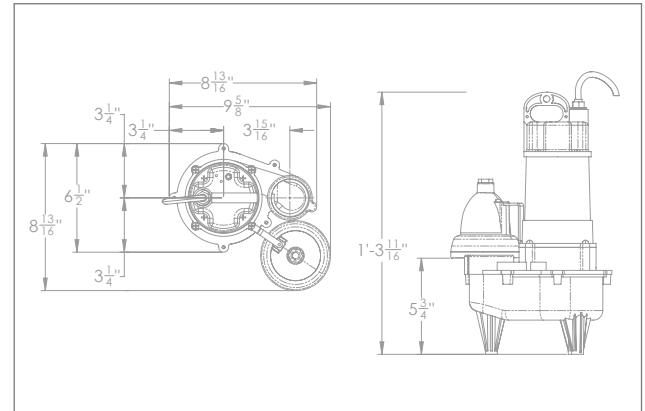
# X-ONEi

Submersible All In One Pump

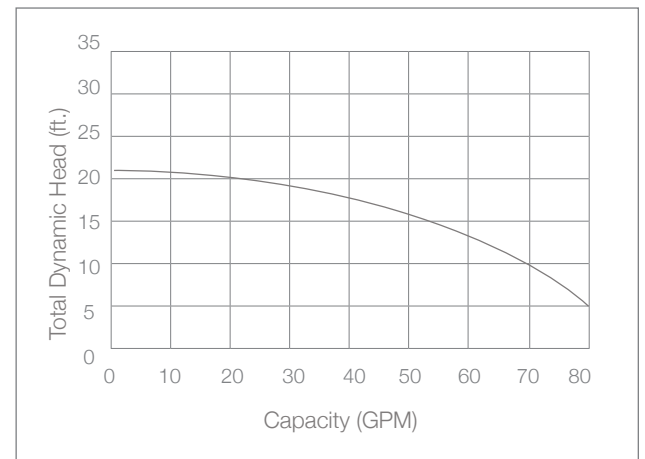
## System Specifications

Typical Applications	<ul style="list-style-type: none"> <li>• Basement sump</li> <li>• Sewage Ejector</li> <li>• Septic tank effluent</li> </ul>
Maximum Capacity	Up to 80 GPM
Maximum Head	Up to 21'
Electrical Data	115 V, 1 Ø, 8.2 FLA, 60 Hz
Motor Data	½ HP, 3450 RPM
Intermittent Liquid Temperature	120° F
Recommended Minimum Basin Size	18" x 24"
Automatic Operation	i: Ion Digital Level Control (standard)
Manual Operation	M: Manual
Materials of Construction	Cast iron & engineered thermoplastic
Power Cord	10' Standard
Discharge	2" with 1½" reducer
Solids	1½" to 2"

## Pump Dimensions



## Pump Performance



## Features

- Carbon ceramic mechanical seal
- Oil-filled motor with automatic reset thermal overload protection
- Upper and lower single-row ball-bearing construction
- Piggyback Ion® digital level control switch has no moving parts (standard)
- 3 year warranty

Take Control.  
**ION**  
StormPro®



# SH40i

## Sewage Pump

- Septic tank effluent
- High capacity sump
- Commercial sewage
- Residential sewage



37 Forestwood Dr., Romeoville, IL 60446 [www.ionproducts.net](http://www.ionproducts.net) [815] 886-9200

Patent No. 8,591,198

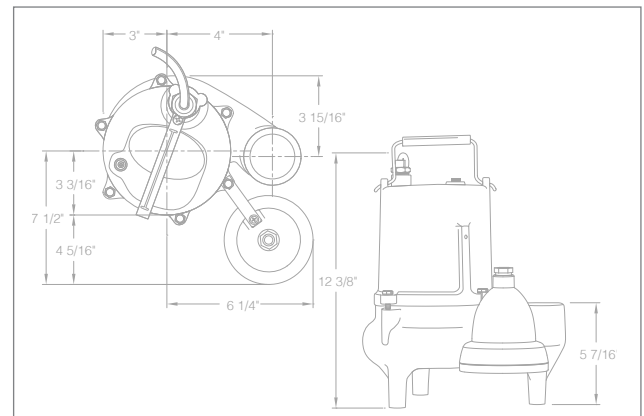
# SH40i

## Sewage Pump

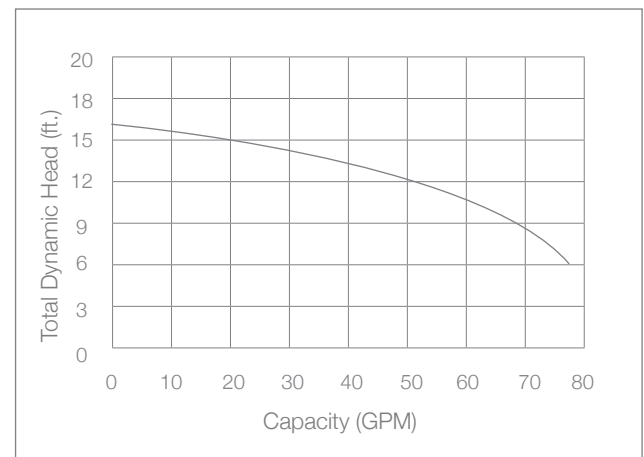
### System Specifications

Typical Applications	<ul style="list-style-type: none"> <li>• Septic tank effluent</li> <li>• High capacity sump</li> <li>• Commercial sewage</li> <li>• Residential sewage</li> </ul>
Maximum Capacity	Up to 78 GPM
Maximum Head	Up to 16'
Electrical Data	115 V, 1 Ø, 12.6 FLA, 60 Hz
Motor Data	¼ HP, 1550 RPM
Intermittent Liquid Temperature	120° F
Recommended Minimum Basin Size	18" x 30"
Automatic Operation	i: Ion Digital Level Control (standard)
Manual Operation	M: Manual
Materials of Construction	Cast iron
Impeller	Thermoplastic vortex
Power Cord	10' Standard (20' optional)
Discharge	2" NPT
Solids Handling	2"

### Pump Dimensions



### Pump Performance



### Features

- Carbon ceramic mechanical seal
- Automatic reset thermal overload for maximum protection
- Lower single-row ball-bearing construction
- Piggy back Ion® digital level control switch has no moving parts (standard)
- 3 year warranty

Take Control.  
**ION**  
StormPro®



# SPH40i

## Sewage Pump

- Septic tank effluent
- High head sump
- Dewatering
- Residential sewage



37 Forestwood Dr., Romeoville, IL 60446 [www.ionproducts.net](http://www.ionproducts.net) [815] 886-9200

Patent No. 8,591,198

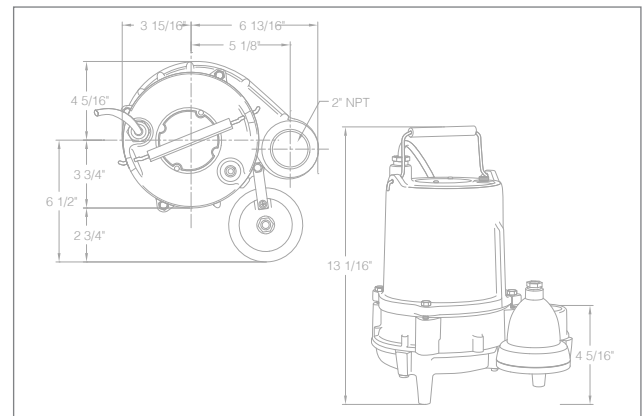
# SPH40i

Sewage Pump

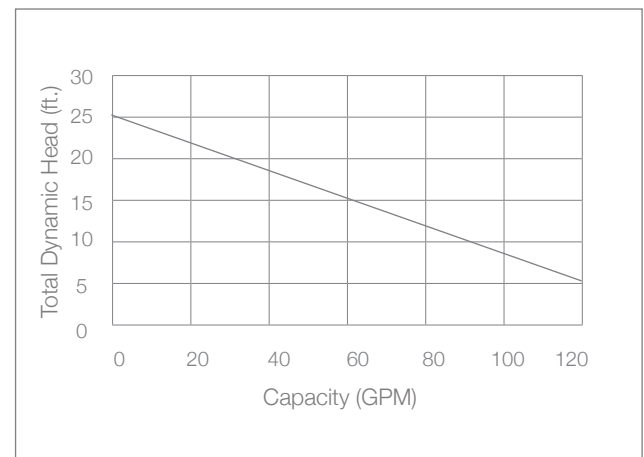
## System Specifications

Typical Applications	<ul style="list-style-type: none"><li>• Septic tank effluent</li><li>• High capacity sump</li><li>• Dewatering</li><li>• Residential sewage</li></ul>
Maximum Capacity	Up to 120 GPM
Maximum Head	Up to 25'
Electrical Data	115 V, 1 Ø, 9.5 FLA, 60 Hz
Motor Data	¼ HP, 1750 RPM
Intermittent Liquid Temperature	120° F
Recommended Minimum Basin Size	18" x 30"
Automatic Operation	i: Ion Digital Level Control (standard)
Manual Operation	M: Manual
Materials of Construction	Cast iron
Impeller	Thermoplastic non-clog
Power Cord	10' Standard (20' optional)
Discharge	2" NPT
Solids Handling	1¼"

## Pump Dimensions



## Pump Performance



## Features

- Carbon ceramic mechanical seal
- Automatic reset thermal overload for maximum protection
- Lower single-row ball-bearing construction
- Piggy back Ion® digital level control switch has no moving parts (standard)
- 3 year warranty

Take Control.  
**ION**  
StormPro®



# SHK50i

## Sewage Pump

- Septic tank effluent
- High capacity sump
- Commercial sewage
- Residential sewage



37 Forestwood Dr., Romeoville, IL 60446 [www.ionproducts.net](http://www.ionproducts.net) [815] 886-9200

Patent No. 8,591,198

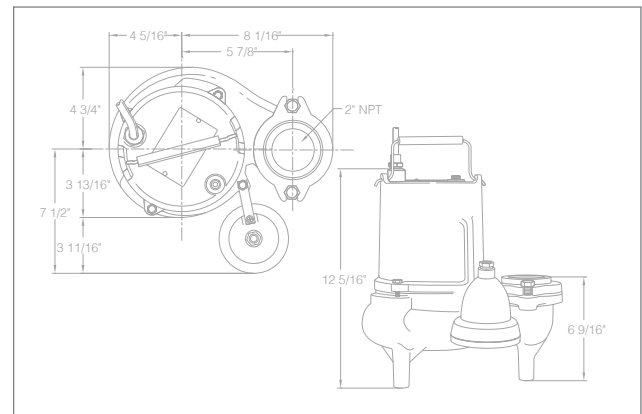
# SHK50i

Sewage Pump

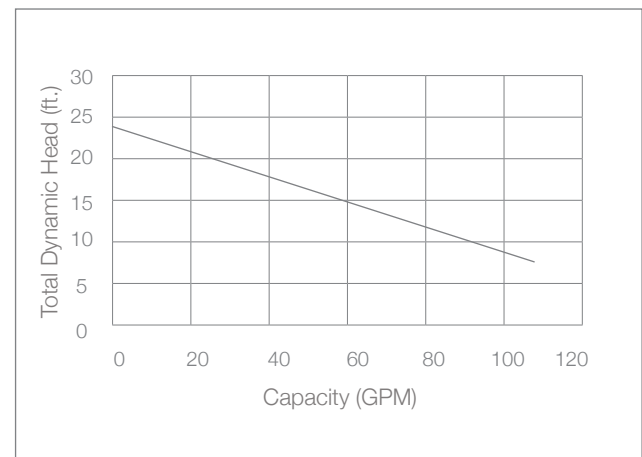
## System Specifications

Typical Applications	<ul style="list-style-type: none"> <li>• Septic tank effluent</li> <li>• High capacity sump</li> <li>• Commercial sewage</li> <li>• Residential sewage</li> </ul>
Maximum Capacity	Up to 112 GPM
Maximum Head	Up to 24'
Electrical Data	<ul style="list-style-type: none"> <li>• 115 V, 1 Ø, 12.0 FLA, 60 Hz</li> <li>• 230 V, 1 Ø, 6.0 FLA, 60 Hz</li> </ul>
Motor Data	½ HP, 1750 RPM
Intermittent Liquid Temperature	130° F
Recommended Minimum Basin Size	18" x 30"
Automatic Operation	i: Ion Digital Level Control (standard)
Manual Operation	M: Manual
Materials of Construction	Cast iron
Impeller	Cast iron non-clog
Power Cord	10' Standard (20' optional)
Discharge	2" NPT (3" optional)
Solids Handling	2"

## Pump Dimensions



## Pump Performance



## Features

- Carbon ceramic mechanical seal
- Automatic reset thermal overload for maximum protection
- Lower single-row ball-bearing construction
- Piggy back Ion® digital level control switch has no moving parts (standard)
- 3 year warranty

Take Control.  
**ION**  
StormPro®



# HR50

## Sewage Pump

- Septic tank effluent
- Dewatering
- Commercial sewage
- Residential sewage



37 Forestwood Dr., Romeoville, IL 60446 [www.ionproducts.net](http://www.ionproducts.net) [815] 886-9200



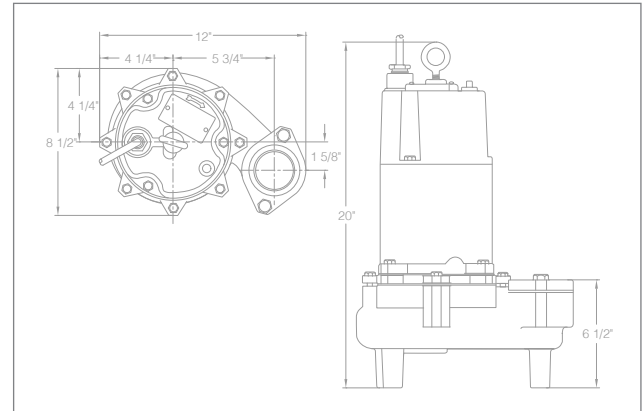
# HR50

## Sewage Pump

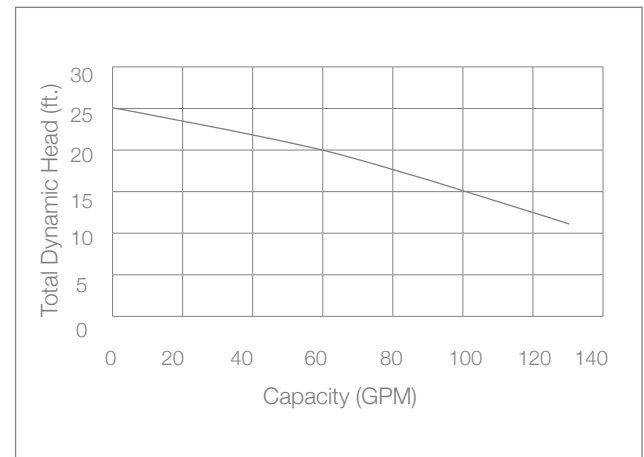
### System Specifications

Typical Applications	<ul style="list-style-type: none"> <li>• Septic tank effluent</li> <li>• High capacity sump</li> <li>• Commercial sewage</li> <li>• Residential sewage</li> </ul>
Maximum Capacity	Up to 130 GPM
Maximum Head	Up to 25'
Electrical Data	<ul style="list-style-type: none"> <li>• 115 V, 1 Ø, 10.5 FLA, 60 Hz</li> <li>• 200 V, 1 Ø, 8.0 FLA, 60 Hz</li> <li>• 230 V, 1 Ø, 5.25 FLA, 60 Hz</li> <li>• 200 V, 3 Ø, 3.6 FLA, 60 Hz</li> <li>• 230 V, 3 Ø, 3.2 FLA, 60 Hz</li> <li>• 460 V, 3 Ø, 1.6 FLA, 60 Hz</li> </ul>
Motor Data	½ HP, 1750 RPM
Intermittent Liquid Temperature	140° F
Recommended Minimum Basin Size	18" x 30"
Manual Operation	M: Manual (standard)
Automatic Operation	i: Ion Digital Level Control W: Wide-angle float
Materials of Construction	Cast iron
Impeller	Cast iron vortex
Power Cord	20' Standard
Discharge	2" NPT (3" optional)
Solids Handling	2"

### Pump Dimensions



### Pump Performance



### Features

- Versatile applications ideal for residential and commercial sewage, domestic wastewater and septic systems
- Non-clog design recessed impeller provides maximum efficiency and eliminates jamming between volute case
- Carbon ceramic mechanical seal
- Lower single-row ball-bearing construction
- 3 year warranty

Take Control.  
**ION**  
StormPro®



# SHV40i

## Sewage Pump

- Light commercial sewage
- Residential sewage
- High-capacity sump
- Septic tank effluent



Patent No. 8,591,198



37 Forestwood Dr., Romeoville, IL 60446 [www.ionproducts.net](http://www.ionproducts.net) [815] 886-9200

# SHV40i

Sewage Pump

## System Specifications

- Typical Applications
- Light commercial sewage
  - Residential sewage
  - High-capacity sump
  - Septic tank effluent

Maximum Capacity Up to 90 GPM

Maximum Head Up to 25'

- Electrical Data
- 115 V, 1  $\emptyset$ , 8.5 FLA, 60 Hz
  - 230 V, 1  $\emptyset$ , 4.3 FLA, 60 Hz

Motor Data 1/2 HP, 3450 RPM

Intermittent Liquid Temperature 130° F

Recommended Minimum Basin Size 18" x 30"

Automatic Operation i: Ion Digital Level Control (standard)

Manual Operation M: Manual

Materials of Construction Cast iron and stainless steel

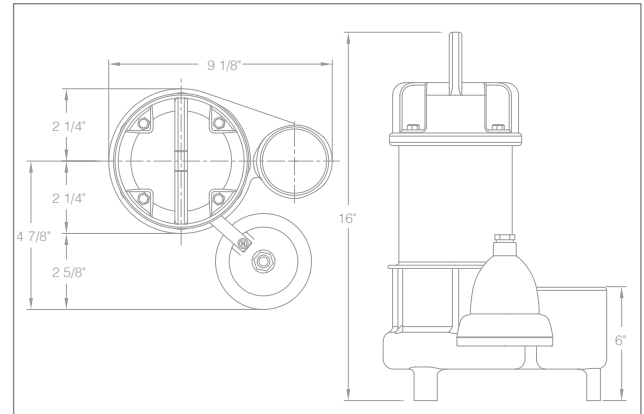
Impeller Cast iron vortex

Power Cord 20' Standard

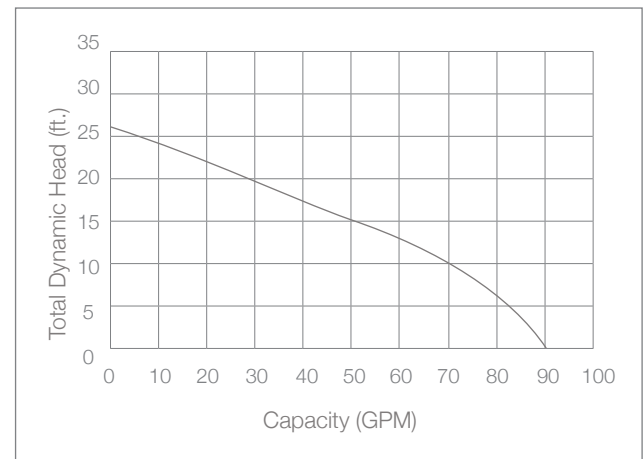
Discharge 2" NPT

Solids Handling 2"

## Pump Dimensions



## Pump Performance



## Features

- Carbon ceramic mechanical seal
- Automatic reset thermal overload for maximum protection
- Lower single-row ball-bearing construction
- Piggy back Ion® digital level control switch has no moving parts (standard)
- 3 year warranty

Take Control.  
**ION**  
StormPro®



# SHV75i

## Sewage Pump

- Light commercial sewage
- Residential sewage
- High-capacity sump
- Septic tank effluent



37 Forestwood Dr., Romeoville, IL 60446 [www.ionproducts.net](http://www.ionproducts.net) [815] 886-9200

Patent No. 8,591,198

# SHV75i

Sewage Pump

## System Specifications

- Typical Applications
- Light commercial sewage
  - Residential sewage
  - High-capacity sump
  - Septic tank effluent

Maximum Capacity Up to 120 GPM

Maximum Head Up to 28'

Electrical Data 115 V, 1  $\emptyset$ , 11.5 FLA, 60 Hz

Motor Data 3/4 HP, 3450 RPM

Intermittent Liquid Temperature 130° F

Recommended Minimum Basin Size 18" x 30"

Automatic Operation i: Ion Digital Level Control  
Manual Operation M: Manual

Materials of Construction Cast iron & stainless steel

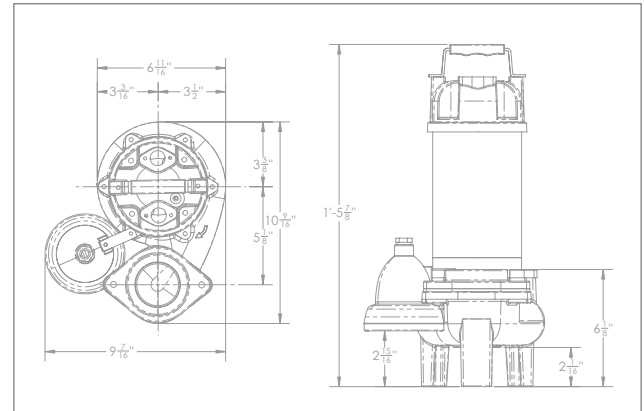
Impeller Cast iron vortex

Power Cord 10' Standard

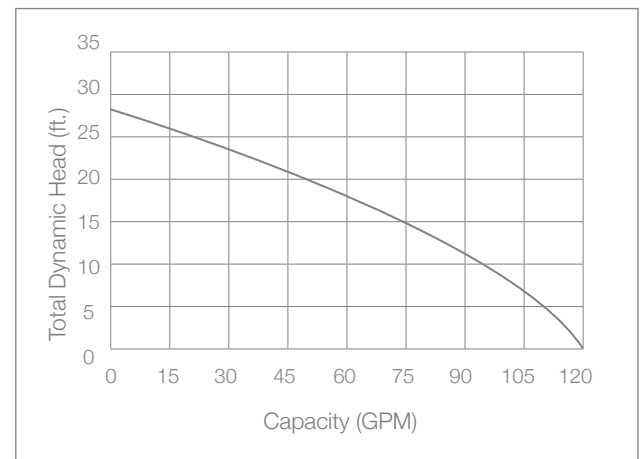
Discharge 2" NPT, optional 3"

Solids Handling 2"

## Pump Dimensions



## Pump Performance



## Features

- Carbon ceramic mechanical seal
- Automatic reset thermal overload for maximum protection
- Lower single-row ball-bearing construction
- Piggy back Ion® digital level control switch with no moving parts (standard)
- 3 year warranty

Take Control.  
**ION**  
StormPro®



# SHV100

## Sewage Pump

- Light commercial sewage
- Residential sewage
- High-capacity sump
- Septic tank effluent



37 Forestwood Dr., Romeoville, IL 60446 [www.ionproducts.net](http://www.ionproducts.net) [815] 886-9200

# SHV100

Sewage Pump

## System Specifications

- Typical Applications
- Light commercial sewage
  - Residential sewage
  - High-capacity sump
  - Septic tank effluent

Maximum Capacity Up to 155 GPM

Maximum Head Up to 32'

Electrical Data  
115 V, 1 Ø, 14 FLA, 60 Hz  
230 V, 1 Ø, 7 FLA, 60 Hz

Motor Data 1 HP, 3450 RPM

Intermittent Liquid Temperature 130° F

Recommended Minimum Basin Size 18" x 30"

Manual Operation M: Manual (Standard)  
Automatic Operation i: Ion Digital Level Control (115 Volt Only)  
W: Wide Angle Switch (115 Volt or 230 Volt)

Materials of Construction Cast iron and stainless steel

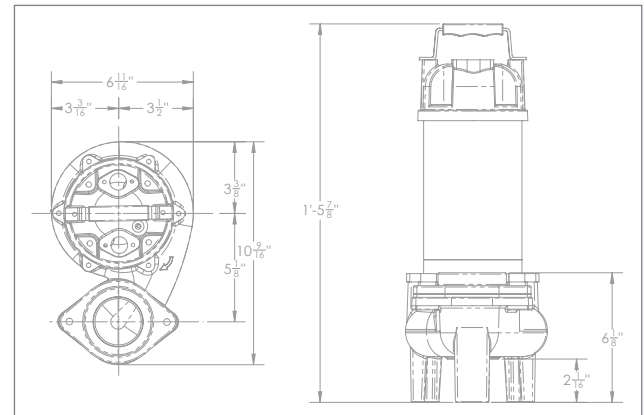
Impeller Cast iron vortex

Power Cord 20' Standard

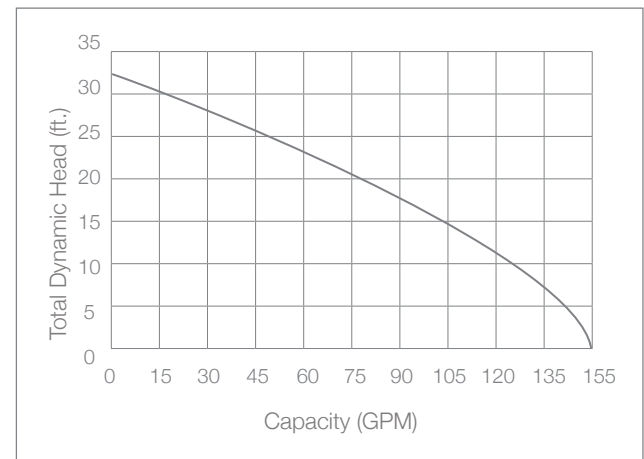
Discharge 2" NPT, optional 3"

Solids Handling 2"

## Pump Dimensions



## Pump Performance



## Features

- Carbon ceramic mechanical seal
- Automatic reset thermal overload for maximum protection
- Lower single-row ball-bearing construction
- 3 year warranty

Take Control.  
**ION**  
StormPro®



# SHS50

## Sewage Pump

- Septic tank effluent
- Commercial sewage
- Residential sewage
- High-capacity sump



37 Forestwood Dr., Romeoville, IL 60446 [www.ionproducts.net](http://www.ionproducts.net) [815] 886-9200



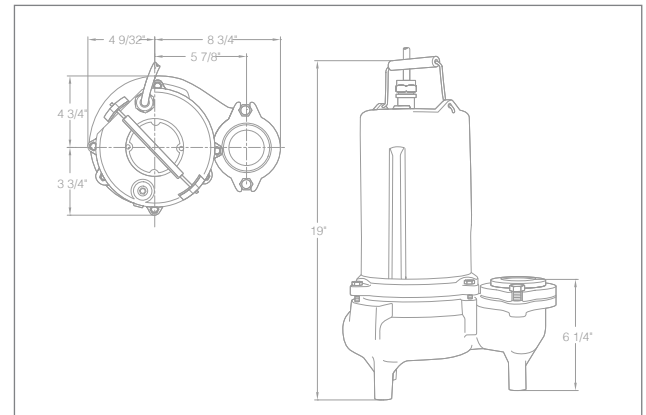
# SHS50

Sewage Pump

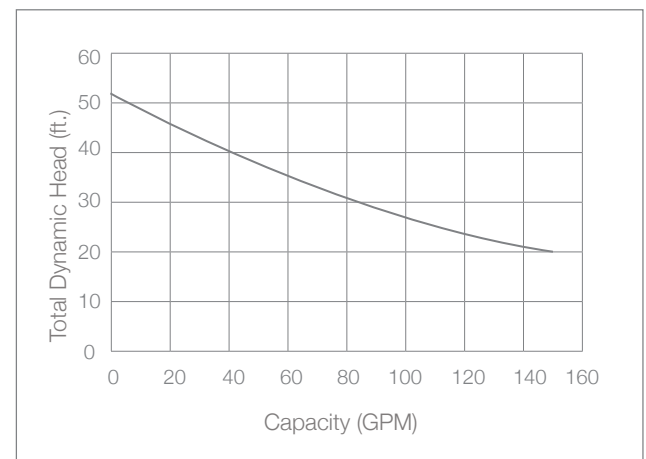
## System Specifications

Typical Applications	<ul style="list-style-type: none"><li>• Septic tank effluent</li><li>• Commercial sewage</li><li>• Residential sewage</li><li>• High-capacity sump</li></ul>
Maximum Capacity	Up to 150 GPM
Maximum Head	Up to 50'
Electrical Data	115 V, 1 $\emptyset$ , 14.2 FLA, 60 Hz
Motor Data	1/2 HP, 3450 RPM
Intermittent Liquid Temperature	140° F
Recommended Minimum Basin Size	18" x 30"
Manual Operation	M: Manual (standard)
Automatic Operation	i: Ion Digital Level Control W: Wide angle switch
Materials of Construction	Cast iron
Impeller	Cast iron
Power Cord	20' Standard
Discharge	2" NPT (3" optional)
Solids Handling	2"

## Pump Dimensions



## Pump Performance



## Features

- Carbon ceramic mechanical seal
- Automatic reset thermal overload for maximum protection
- Lower single-row ball-bearing construction
- 3 year warranty

Take Control.  
**ION**  
StormPro®



# SHR50

## Sewage Pump

- Septic tank effluent
- Commercial sewage
- Residential sewage
- High-capacity sump



37 Forestwood Dr., Romeoville, IL 60446 [www.ionproducts.net](http://www.ionproducts.net) [815] 886-9200

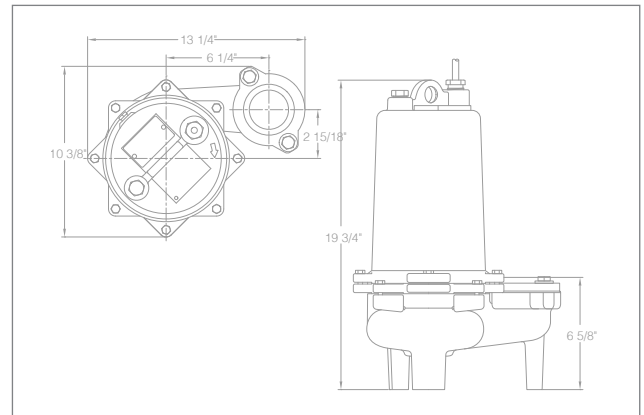
# SHR50

Sewage Pump

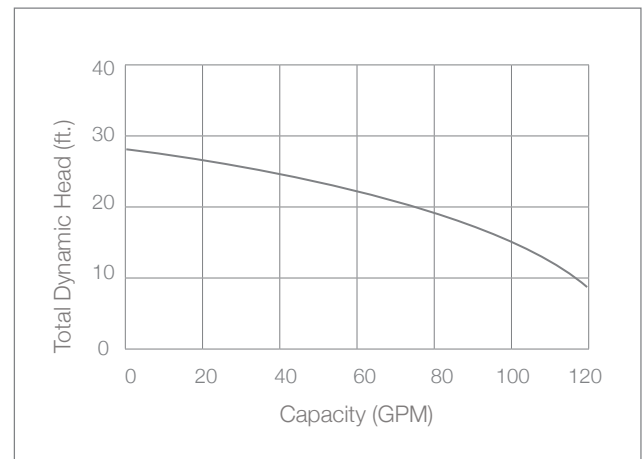
## System Specifications

Typical Applications	<ul style="list-style-type: none"><li>• Septic tank effluent</li><li>• Commercial sewage</li><li>• Residential sewage</li><li>• High-capacity sump</li></ul>
Maximum Capacity	Up to 120 GPM
Maximum Head	Up to 28'
Electrical Data	<ul style="list-style-type: none"><li>• 115 V, 1 Ø, 13.8 FLA, 60 Hz</li><li>• 200 V, 1 Ø, 7.6 FLA, 60 Hz</li><li>• 230 V, 1 Ø, 6.9 FLA, 60 Hz</li><li>• 200 V, 3 Ø, 5.2 FLA, 60 Hz</li><li>• 230 V, 3 Ø, 4.7 FLA, 60 Hz</li><li>• 460 V, 3 Ø, 2.3 FLA, 60 Hz</li></ul>
Motor Data	½ HP, 3450 RPM
Intermittent Liquid Temperature	140° F
Recommended Minimum Basin Size	18" x 30"
Manual Operation	M: Manual (standard)
Automatic Operation	i: Ion Digital Level Control W: Wide angle switch
Materials of Construction	Cast iron
Impeller	Ductile iron vortex
Power Cord	20' Standard
Discharge	2" NPT (3" optional)
Solids Handling	2"

## Pump Dimensions



## Pump Performance



## Features

- Carbon ceramic mechanical seal
- Automatic reset thermal overload for maximum protection
- Lower single-row ball-bearing construction
- 3 year warranty

Take Control.  
**ION**  
StormPro®



# SHR100

## Sewage Pump

- Septic tank effluent
- Commercial sewage
- Residential sewage
- High-capacity sump



37 Forestwood Dr., Romeoville, IL 60446 [www.ionproducts.net](http://www.ionproducts.net) [815] 886-9200

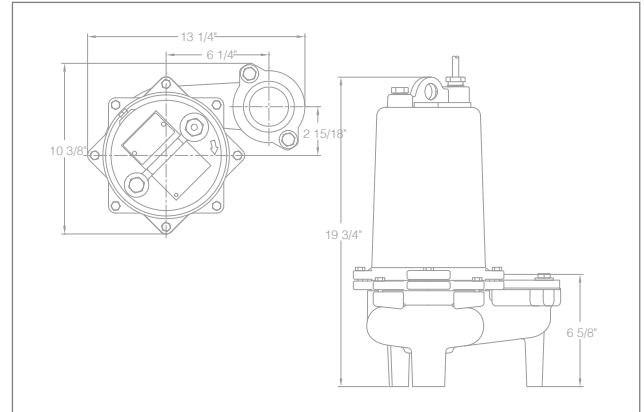
# SHR100

Sewage Pump

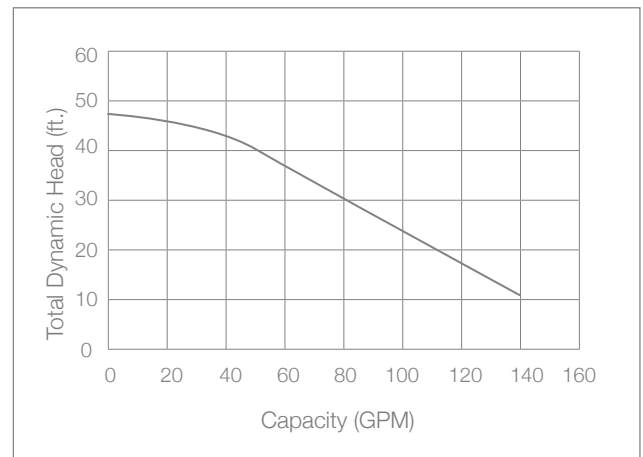
## System Specifications

Typical Applications	<ul style="list-style-type: none"><li>• Septic tank effluent</li><li>• Commercial sewage</li><li>• Residential sewage</li><li>• High-capacity sump</li></ul>	
	Maximum Capacity	Up to 140 GPM
	Maximum Head	Up to 45'
	Electrical Data	<ul style="list-style-type: none"><li>• 200 V, 1 Ø, 14.8 FLA, 60 Hz</li><li>• 230 V, 1 Ø, 12.8 FLA, 60 Hz</li><li>• 200 V, 3 Ø, 7.7 FLA, 60 Hz</li><li>• 230 V, 3 Ø, 7.0 FLA, 60 Hz</li><li>• 460 V, 3 Ø, 3.5 FLA, 60 Hz</li></ul>
Motor Data	1 HP, 3450 RPM	
Intermittent Liquid Temperature	140° F	
Recommended Minimum Basin Size	18" x 30"	
Manual Operation	M: Manual (standard)	
Automatic Operation	W: Wide angle switch	
Materials of Construction	Cast iron	
Impeller	Ductile iron vortex	
Power Cord	20' Standard	
Discharge	2" NPT (3" optional)	
Solids Handling	2"	

## Pump Dimensions



## Pump Performance



## Features

- Carbon ceramic mechanical seal
- Automatic reset thermal overload for maximum protection (single phase only)
- Lower single-row ball-bearing construction
- 3 year warranty

Take Control.  
**ION**  
StormPro®



# SHR150

## Sewage Pump

- Septic tank effluent
- Commercial sewage
- Residential sewage
- High-capacity sump



37 Forestwood Dr., Romeoville, IL 60446 [www.ionproducts.net](http://www.ionproducts.net) [815] 886-9200

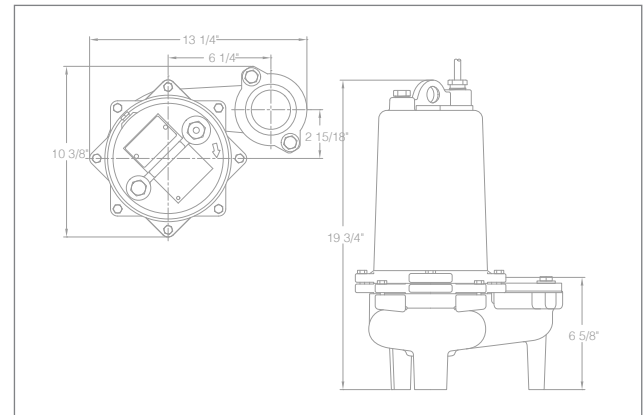
# SHR150

Sewage Pump

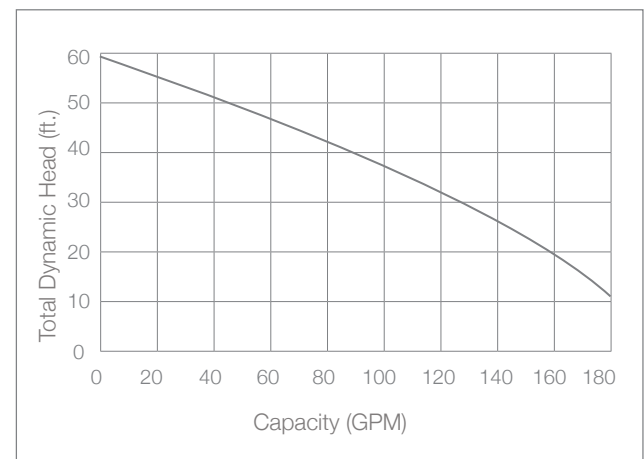
## System Specifications

Typical Applications	<ul style="list-style-type: none"><li>• Septic tank effluent</li><li>• Commercial sewage</li><li>• Residential sewage</li><li>• High-capacity sump</li></ul>
Maximum Capacity	Up to 180 GPM
Maximum Head	Up to 60'
Electrical Data	<ul style="list-style-type: none"><li>• 200 V, 1 Ø, 15.3 FLA, 60 Hz</li><li>• 230 V, 1 Ø, 13.1 FLA, 60 Hz</li><li>• 200 V, 3 Ø, 8.5 FLA, 60 Hz</li><li>• 230 V, 3 Ø, 7.7 FLA, 60 Hz</li><li>• 460 V, 3 Ø, 3.9 FLA, 60 Hz</li></ul>
Motor Data	1½ HP, 3450 RPM
Intermittent Liquid Temperature	140° F
Recommended Minimum Basin Size	24" x 30"
Manual Operation	M: Manual (standard)
Automatic Operation	W: Wide angle switch
Materials of Construction	Cast iron
Impeller	Ductile iron vortex
Power Cord	20' Standard
Discharge	2" NPT (3" optional)
Solids Handling	2"

## Pump Dimensions



## Pump Performance



## Features

- Carbon ceramic mechanical seal
- Automatic reset thermal overload for maximum protection (single phase only)
- Lower single-row ball-bearing construction
- 3 year warranty

Take Control.  
**ION**  
StormPro®



# SHR200

## Sewage Pump

- Septic tank effluent
- Commercial sewage
- Residential sewage
- High-capacity sump



37 Forestwood Dr., Romeoville, IL 60446 [www.ionproducts.net](http://www.ionproducts.net) [815] 886-9200



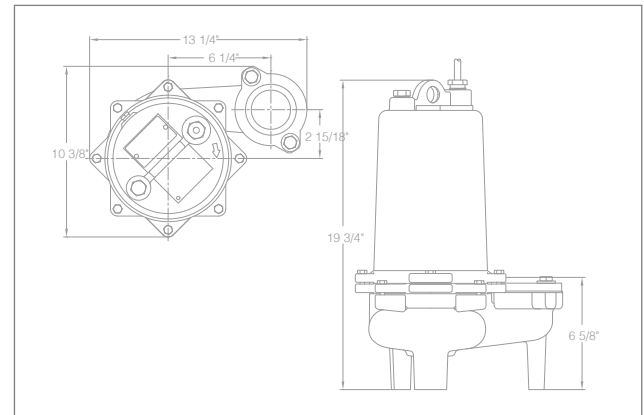
# SHR200

Sewage Pump

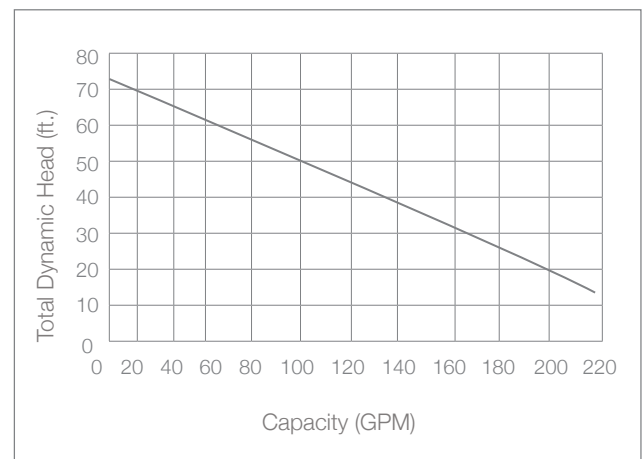
## System Specifications

Typical Applications	<ul style="list-style-type: none"><li>• Septic tank effluent</li><li>• Commercial sewage</li><li>• Residential sewage</li><li>• High-capacity sump</li></ul>	
	Maximum Capacity	Up to 218 GPM
	Maximum Head	Up to 72'
	Electrical Data	<ul style="list-style-type: none"><li>• 230 V, 1 Ø, 18.0 FLA, 60 Hz</li><li>• 200 V, 3 Ø, 10.4 FLA, 60 Hz</li><li>• 230 V, 3 Ø, 9.0 FLA, 60 Hz</li><li>• 460 V, 3 Ø, 4.5 FLA, 60 Hz</li></ul>
Motor Data	2 HP, 3450 RPM	
Intermittent Liquid Temperature	140° F	
Recommended Minimum Basin Size	24" x 30"	
Manual Operation	M: Manual (standard)	
Automatic Operation	W: Wide angle switch	
Materials of Construction	Cast iron and stainless steel	
Impeller	Ductile iron vortex	
Power Cord	20' Standard	
Discharge	2" NPT (3" optional)	
Solids Handling	2"	

## Pump Dimensions



## Pump Performance



## Features

- Carbon ceramic mechanical seal
- Automatic reset thermal overload for maximum protection (single phase only)
- Lower single-row ball-bearing construction
- 3 year warranty

Take Control.  
**ION**  
StormPro®



# OS50Bi

## Effluent Pump

- Septic tank effluent
- Flood control units
- Industrial circulators
- Elevator pits
- Basement sumps



37 Forestwood Dr., Romeoville, IL 60446 [www.ionproducts.net](http://www.ionproducts.net) [815] 886-9200

Patent No. 8,591,198

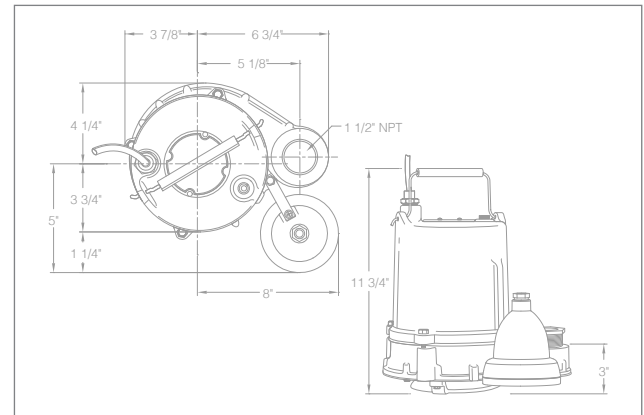
# OS50Bi

Effluent Pump

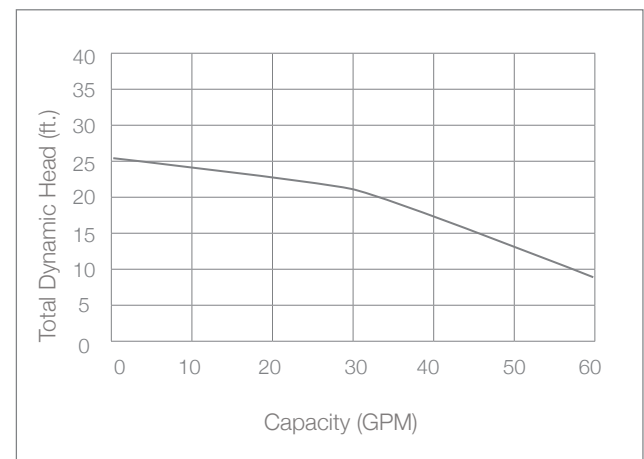
## System Specifications

Typical Applications	• Septic tank effluent
	• Flood control units
	• Industrial circulators
	• Elevator pits
	• Basement sumps
Maximum Capacity	Up to 60 GPM
Maximum Head	Up to 25'
Electrical Data	115 V, 1 $\emptyset$ , 9.5 FLA, 60 Hz
Motor Data	1/2 HP, 1750 RPM
Intermittent Liquid Temperature	140° F
Recommended Minimum Basin Size	18" x 24"
Automatic Operation	i: Ion Digital Level Control (standard)
Manual Operation	M: Manual
Materials of Construction	Naval bronze
Impeller	Bronze
Power Cord	20' Standard
Discharge	1 1/2" NPT (2" optional)
Solids Handling	5/8"

## Pump Dimensions



## Pump Performance



## Features

- Naval bronze construction for corrosion resistance
- Carbon ceramic mechanical seal
- Automatic reset thermal overload for maximum protection
- Upper and lower single-row ball-bearing construction
- Piggy back Ion® digital level control switch has no moving parts (standard)
- 3 year warranty

Take Control.  
**ION**  
StormPro®



# SH50Bi

## Effluent Pump

- Septic tank effluent
- Dewatering
- High head sumps



37 Forestwood Dr., Romeoville, IL 60446 [www.ionproducts.net](http://www.ionproducts.net) [815] 886-9200

Patent No. 8,591,198

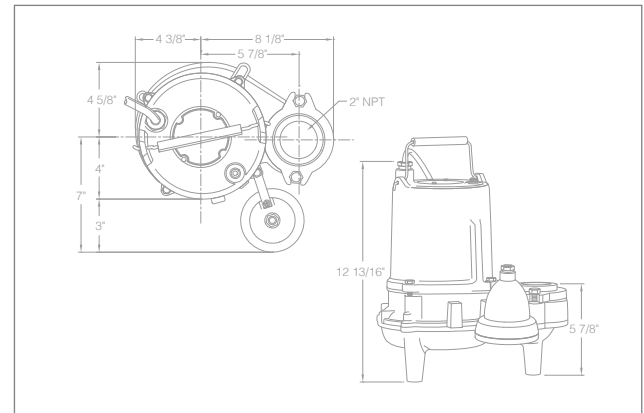
# SH50Bi

Effluent Pump

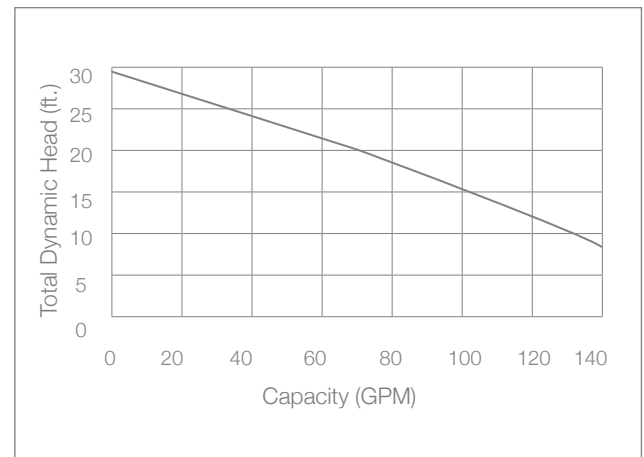
## System Specifications

Typical Applications	<ul style="list-style-type: none"><li>• Septic tank effluent</li><li>• Dewatering</li><li>• High head sumps</li></ul>
Maximum Capacity	Up to 140 GPM
Maximum Head	Up to 28'
Electrical Data	115 V, 1 $\emptyset$ , 12 FLA, 60 Hz
Motor Data	1/2 HP, 1750 RPM
Intermittent Liquid Temperature	140° F
Recommended Minimum Basin Size	18" x 30"
Automatic Operation	i: Ion Digital Level Control (standard)
Manual Operation	M: Manual
Materials of Construction	Naval bronze
Impeller	Bronze non-clog
Power Cord	20' Standard
Discharge	2" NPT
Solids Handling	1 1/2"

## Pump Dimensions



## Pump Performance



## Features

- Naval bronze construction for corrosion resistance
- Carbon ceramic mechanical seal
- Automatic reset thermal overload for maximum protection
- Upper and lower single-row ball-bearing construction
- Piggy back Ion® digital level control switch has no moving parts (standard)
- 3 year warranty

Take Control.  
**ION**  
StormPro



# HT40

## Submersible Sump Pump

- Boiler blow down
- Condensate pits
- Hot water transfer



37 Forestwood Dr., Romeoville, IL 60446 [www.ionproducts.net](http://www.ionproducts.net) [815] 886-9200

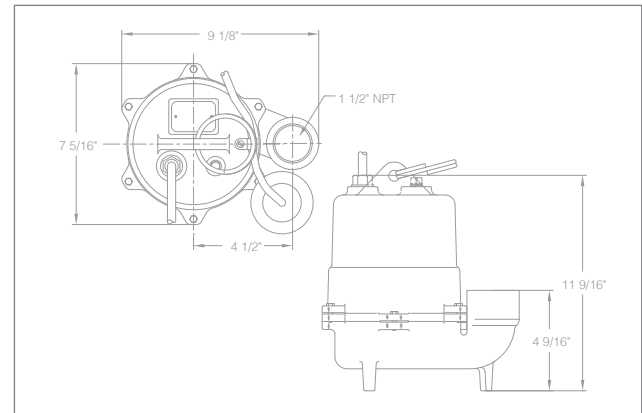
# HT40

## Submersible Sump Pump

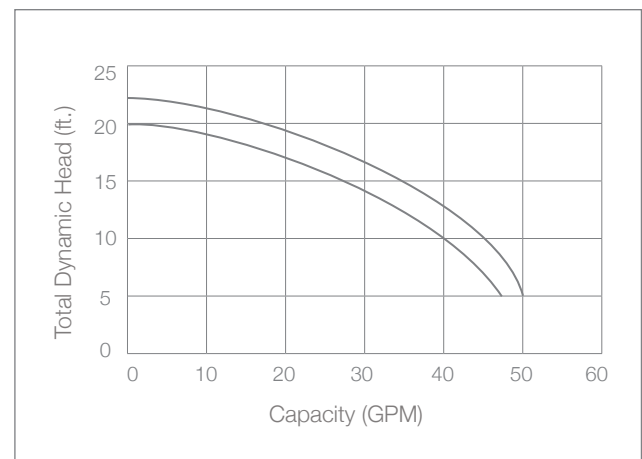
### System Specifications

Typical Applications	<ul style="list-style-type: none"><li>Boiler blow down</li><li>Condensate pits</li><li>Hot water transfer</li></ul>
Maximum Capacity	Up to 50 GPM
Maximum Head	Up to 23'
Electrical Data	115 V, 1 Ø, 12 FLA, 60 Hz
Motor Data	1/3 HP, 1750 RPM
Intermittent Liquid Temperature	194° F
Recommended Minimum Basin Size	18" x 24"
Manual Operation	M: Manual (standard)
Automatic Operation	High temperature float
Materials of Construction	Cast iron
Impeller	Thermoplastic vortex
Power Cord	20' Standard
Discharge	1 1/2" NPT
Solids Handling	3/4"

### Pump Dimensions



### Pump Performance



### Features

- Carbon ceramic mechanical seal
- Automatic reset thermal overload for maximum protection
- Piggy back models available
- 3 year warranty

Take Control.  
**ION**  
StormPro®



# EXP50

## Explosion Proof Pump

- Service stations
- Car/truck washes
- Military bases
- Truck decks



37 Forestwood Dr., Romeoville, IL 60446 [www.ionproducts.net](http://www.ionproducts.net) [815] 886-9200



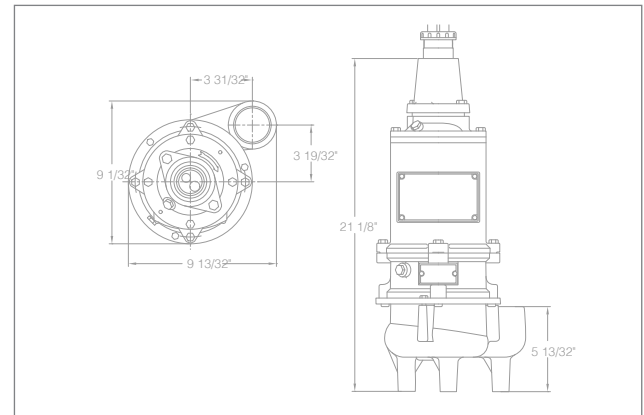
# EXP50

## Explosion Proof Pump

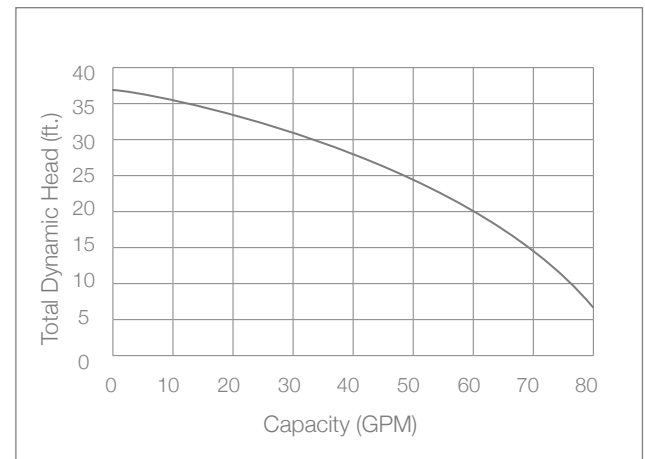
### System Specifications

Typical Applications	<ul style="list-style-type: none"><li>• Service stations</li><li>• Car/truck washes</li><li>• Military bases</li><li>• Truck decks</li></ul>
Maximum Capacity	Up to 80 GPM
Maximum Head	Up to 36'
Electrical Data	<ul style="list-style-type: none"><li>• 230 V, 1 Ø, 4.9 FLA, 60 Hz</li><li>• 230 V, 3 Ø, 3.2 FLA, 60 Hz</li><li>• 460 V, 3 Ø, 1.6 FLA, 60 Hz</li></ul>
Motor Data	½ HP, 1750 RPM
Intermittent Liquid Temperature	140° F
Recommended Minimum Basin Size	24" x 30"
Operation	Control Panel Required
Materials of Construction	Cast iron
Impeller	Cast iron
Power Cord	15' Standard
Discharge	1½" NPT
Solids Handling	¾"

### Pump Dimensions



### Pump Performance



### Pump Features

- Oil filled motor
- Upper & lower bearings
- Single row ball bearing construction
- Dual carbon/ceramic Type 21 mechanical shaft seal
- 3 year warranty
- NEMA 4X enclosure with inner door

### Control Panel Features

- Separate pump and control circuit breaker
- Intrinsically safe module for floats
- H-O-A switch
- Run, seal leak, and alarm light
- Motor starter and capacitor
- UL 913

Take Control.  
**ION**  
StormPro®



# WC33i+

Sump Pump With Built-In High Water Alarm

- Basement Sump
- Septic Tank Effluent
- Dewatering



37 Forestwood Dr., Romeoville, IL 60446 [www.ionproducts.net](http://www.ionproducts.net) (815) 886-9200

Patent No. 8,591,198

# WC33i+

Sump Pump With Built-In High Water Alarm

## System Specifications

- Typical Applications
- Basement sump
  - Dewatering
  - Septic tank effluent

Maximum Capacity Up to 45 GPM

Maximum Head Up to 24'

Electrical Data 115 V, 1  $\emptyset$ , 4 FLA, 60 Hz

Motor Data  $\frac{1}{3}$  HP, 3450 RPM

Recommended Minimum Basin Size 18" x 24"

Automatic Operation i+: Ion+ (standard)

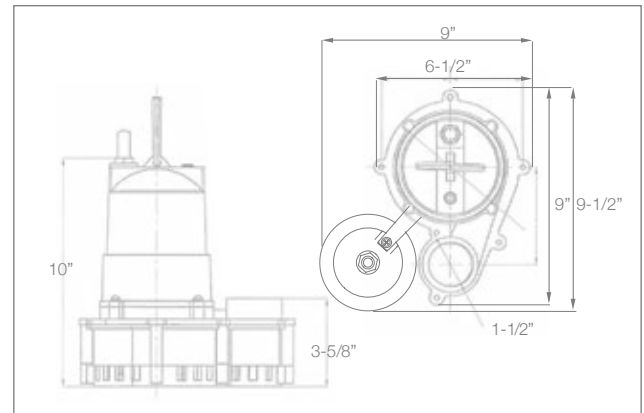
Materials of Construction Cast iron & engineered thermoplastic

Power Cord 10' Standard

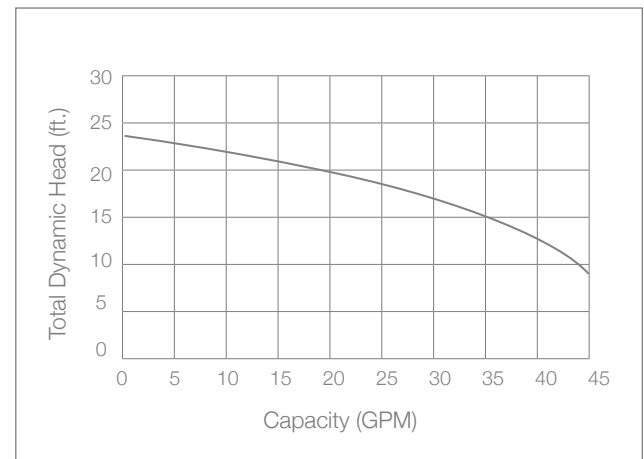
Discharge 1 $\frac{1}{2}$ " NPT

Solids  $\frac{1}{2}$ "

## Pump Dimensions



## Pump Performance



## Features

- Carbon ceramic mechanical seal
- Oil-filled high efficiency PSC motor that uses half the AC power of most  $\frac{1}{3}$  HP pumps
- Piggyback Ion+<sup>®</sup> digital level control switch with alarm has no moving parts (standard)
- 3 year warranty

Take Control.  
**ION**  
StormPro®



# BA33i+

Sump Pump With Built-In High Water Alarm

- Basement Sump
- Dewatering



37 Forestwood Dr., Romeoville, IL 60446 [www.ionproducts.net](http://www.ionproducts.net) [815] 886-9200

Patent No. 8,591,198

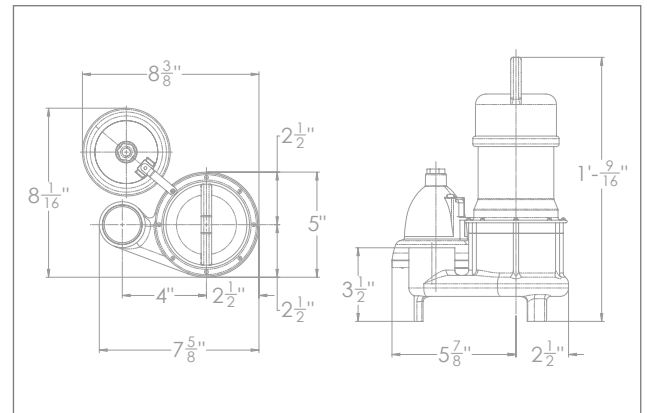
# BA33i+

Sump Pump With Built-In High Water Alarm

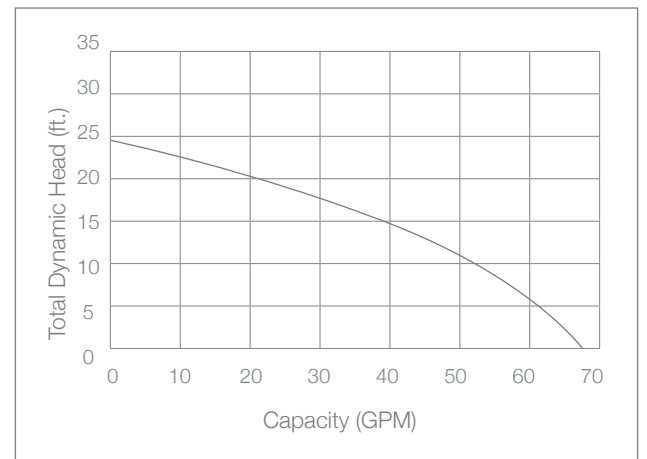
## System Specifications

Typical Applications	<ul style="list-style-type: none"><li>• Basement sump</li><li>• Dewatering</li></ul>
Maximum Capacity	Up to 68 GPM
Maximum Head	Up to 25'
Electrical Data	115 V, 1 Ø, 4.5 FLA, 60 Hz
Motor Data	1/3 HP, 3450 RPM
Recommended Minimum Basin Size	18" x 24"
Automatic Operation	i+: Ion+ (standard)
Materials of Construction	Cast iron & stainless steel
Impeller	Thermoplastic vortex
Power Cord	10' Standard
Discharge Size	1½" NPT
Solids Handling	½"

## Pump Dimensions



## Pump Performance



## Features

- Energy efficient motor
- Carbon ceramic mechanical seal
- Thermal overload protection
- Piggyback Ion+® digital level control switch with alarm has no moving parts (standard)
- Stainless steel screen prevents debris from entering the pump
- 3 year warranty

Take Control.  
**ion**  
StormPro®



# BA50i+

Sump Pump With Built-In High Water Alarm

- Basement Sump
- Dewatering



37 Forestwood Dr., Romeoville, IL 60446 [www.ionproducts.net](http://www.ionproducts.net) [815] 886-9200

Patent No. 8,591,198

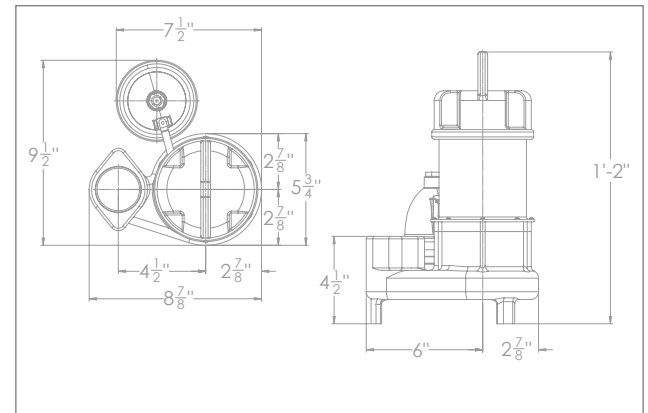
# BA50i+

Sump Pump With Built-In High Water Alarm

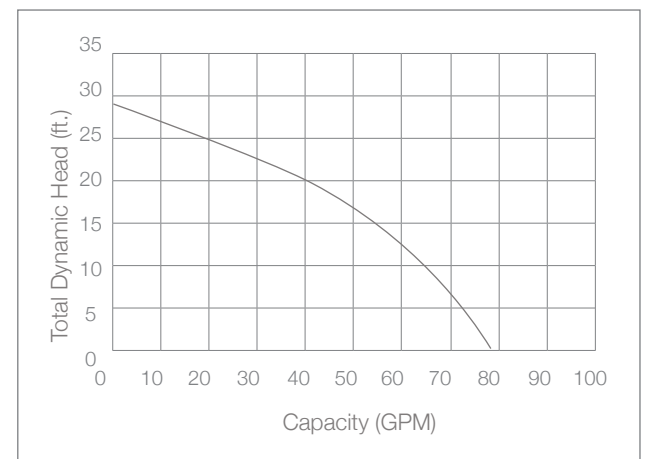
## System Specifications

Typical Applications	<ul style="list-style-type: none"><li>• Basement sump</li><li>• Dewatering</li></ul>
Maximum Capacity	Up to 78 GPM
Maximum Head	Up to 29'
Electrical Data	115 V, 1 $\emptyset$ , 5.8 FLA, 60 Hz
Motor Data	1/2 HP, 3450 RPM
Recommended Minimum Basin Size	18" x 24"
Automatic Operation	i+: Ion+ (standard)
Materials of Construction	Cast iron & stainless steel
Impeller	Cast iron vortex
Power Cord	10' Standard
Discharge Size	2" NPT
Solids Handling	1/2"

## Pump Dimensions



## Pump Performance



## Features

- Energy efficient motor
- Carbon ceramic mechanical seal
- Thermal overload protection
- Piggyback Ion+® digital level control switch with alarm has no moving parts (standard)
- Stainless steel screen prevents debris from entering the pump
- 3 year warranty

Take Control.  
**ION**  
StormPro®



# BA75i+

Sump Pump With Built-In High Water Alarm

- Basement Sump
- Dewatering



37 Forestwood Dr., Romeoville, IL 60446 [www.ionproducts.net](http://www.ionproducts.net) [815] 886-9200

Patent No. 8,591,198



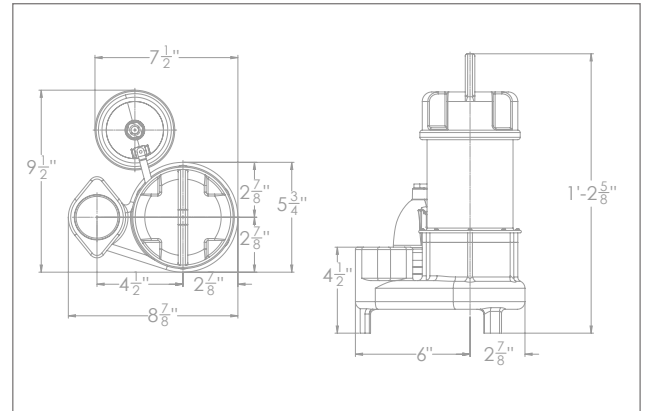
# BA75i+

Sump Pump With Built-In High Water Alarm

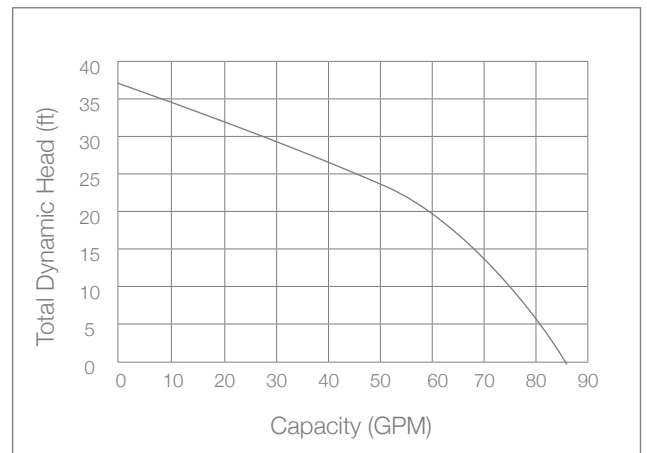
## System Specifications

Typical Applications	<ul style="list-style-type: none"><li>• Basement sump</li><li>• Dewatering</li></ul>
Maximum Capacity	Up to 85 GPM
Maximum Head	Up to 37'
Electrical Data	115 V, 1 Ø, 7.5 FLA, 60 Hz
Motor Data	¾ HP, 3450 RPM
Minimum Sump Diameter	18"
Automatic Operation	i+: Ion+ (standard)
Materials of Construction	Cast iron & stainless steel
Impeller	Cast iron vortex
Power Cord	10' Standard
Discharge Size	2" NPT
Solids Handling	½"

## Pump Dimensions



## Pump Performance



## Features

- Energy efficient motor
- Carbon ceramic mechanical seal
- Thermal overload protection
- Piggyback Ion+® digital level control switch with alarm has no moving parts (standard)
- Stainless steel screen prevents debris from entering the pump
- 3 year warranty

Take Control.  
**ION**  
StormPro.



# X-ONEi+

Submersible All In One Pump With Built-In High Water Alarm

- Basement Sump
- Septic Tank Effluent
- Sewage Ejector



37 Forestwood Dr., Romeoville, IL 60446 [www.ionproducts.net](http://www.ionproducts.net) [815] 886-9200

Patent No. 8,591,198

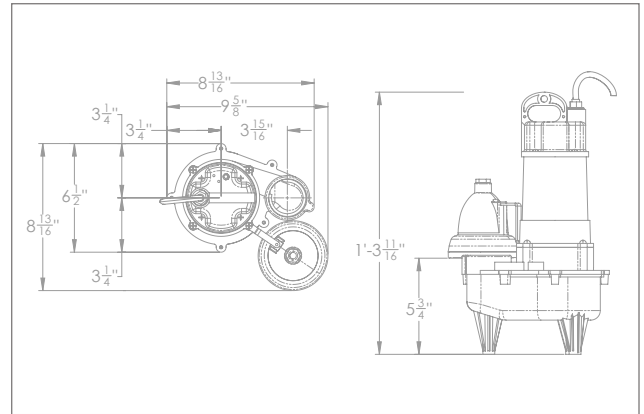
# X-ONEi+

Submersible All In One Pump With Built-In High Water Alarm

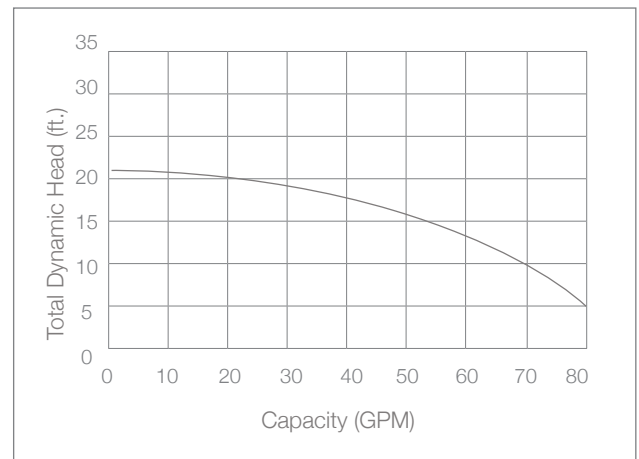
## System Specifications

Typical Applications	<ul style="list-style-type: none"> <li>• Basement sump</li> <li>• Sewage Ejector</li> <li>• Septic tank effluent</li> </ul>
Maximum Capacity	Up to 80 GPM
Maximum Head	Up to 21'
Electrical Data	115 V, 1 Ø, 8.2 FLA, 60 Hz
Motor Data	½ HP, 3450 RPM
Intermittent Liquid Temperature	120° F
Recommended Minimum Basin Size	18" x 24"
Automatic Operation	i+: Ion+ (standard)
Materials of Construction	Cast iron & engineered thermoplastic
Power Cord	10' Standard
Discharge	2" with 1½" reducer
Solids	1½" to 2"

## Pump Dimensions



## Pump Performance



## Features

- Carbon ceramic mechanical seal
- Oil-filled high efficiency PSC motor that uses half the AC power of most ½ HP pumps
- Upper and lower single-row ball-bearing construction
- Piggyback Ion+® digital level control switch with alarm has no moving parts (standard)
- 3 year warranty

Take Control.  
**ION**  
StormPro.



# SHV40i+

Sewage Pump With Built-In High Water Alarm

- Light commercial sewage
- Residential sewage
- High-capacity sump
- Septic tank effluent



Patent No. 8,591,198



37 Forestwood Dr., Romeoville, IL 60446 [www.ionproducts.net](http://www.ionproducts.net) [815] 886-9200

# SHV40i+

Sewage Pump With Built-In High Water Alarm

## System Specifications

- Typical Applications
- Light commercial sewage
  - Residential sewage
  - High-capacity sump
  - Septic tank effluent

Maximum Capacity Up to 90 GPM

Maximum Head Up to 25'

Electrical Data 115 V, 1  $\emptyset$ , 8.5 FLA, 60 Hz

Motor Data 1/2 HP, 3450 RPM

Intermittent Liquid Temperature 130° F

Recommended Minimum Basin Size 18" x 30"

Automatic Operation i+: Ion+ (standard)

Materials of Construction Cast iron and stainless steel

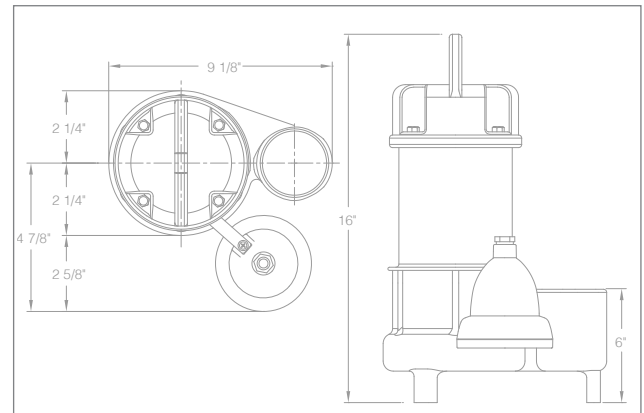
Impeller Cast iron vortex

Power Cord 20' Standard

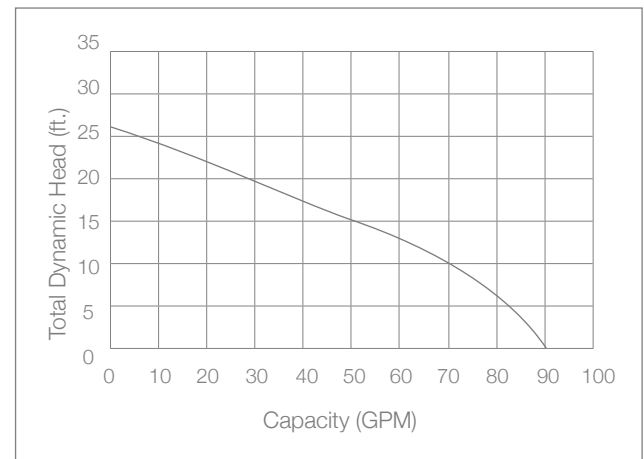
Discharge 2" NPT

Solids Handling 2"

## Pump Dimensions



## Pump Performance



## Features

- Carbon ceramic mechanical seal
- Automatic reset thermal overload for maximum protection
- Lower single-row ball-bearing construction
- Piggyback Ion+® digital level control switch with alarm has no moving parts (standard)
- 3 year warranty

Take Control.  
**ION**  
Controllers



**Ion**®

## Digital Level Control Switch

- Rated for use in both sump and sewage pump applications
- Will work with any 115 volt pump up to 15 amps
- Solid state sensing technology with no moving parts to wear or fail
- Designed to operate for over 2 million cycles
- Longer pumping differential means it will pump more water less frequently
- 10 and 20 foot cord options are available

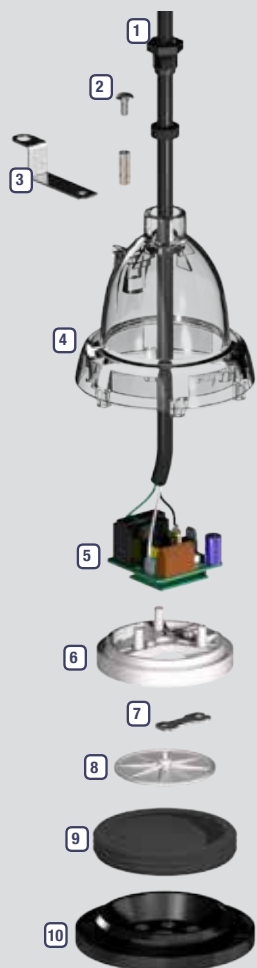


37 Forestwood Dr., Romeoville, IL 60446 [www.ionproducts.net](http://www.ionproducts.net) [815] 886-9200

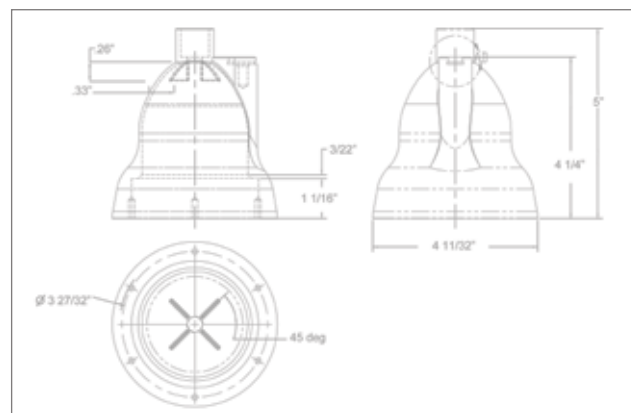
Patent No. 8,591,198

### Assembly View

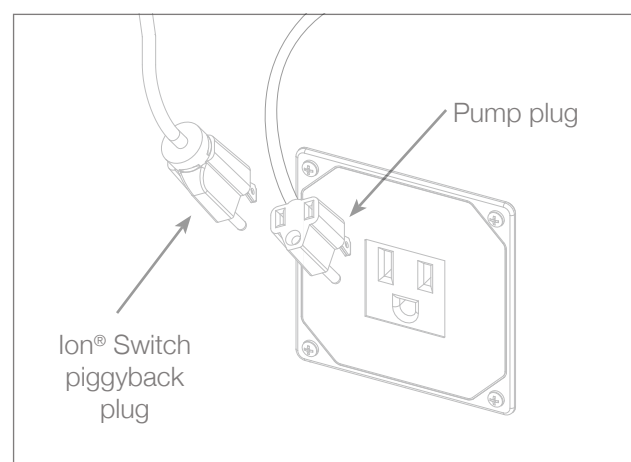
1. Cord strain relief follower
2. Mounting arm screw
3. Switch mounting arm
4. Top housing
5. Control and logic boards
6. Switch bracket
7. Strain gauge
8. Pressure plate
9. Diaphragm with integrated o-ring gasket
10. Diaphragm guard



### Switch Dimensions



### Piggyback Plug Illustration



### System Specifications

- Type of Application: Sump and sewage
- Voltage: 115 volt
- Amp Rating: 13 FLA, 15 amp max
- Power Cord: 10' or 20'
- Pump Range: 6" or 8.5"
- 3 year warranty

Take Control.  
**ion**  
Controllers



# Ion+<sup>®</sup>

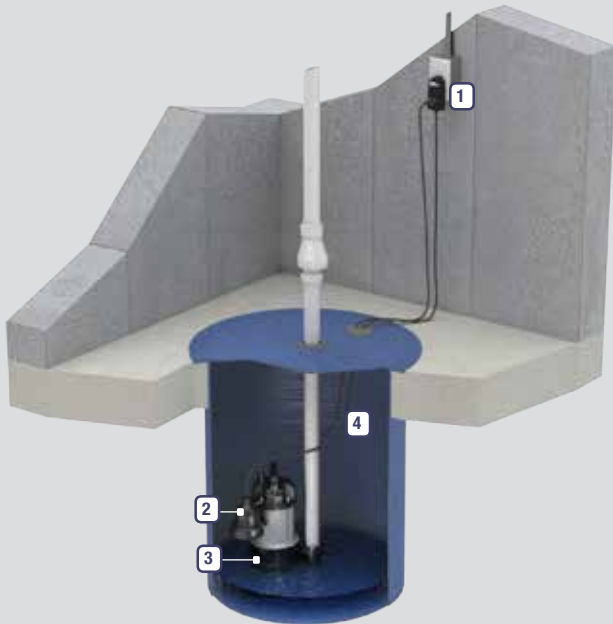
## Digital Level Control with High Water Alarm

- World's first digital piggyback style sump & sewage pump level control sensor with integrated alarms
- Provides alarm notification via an audible buzzer, LED indicators, and dry alarm contact
- Device can be connected to external alarm notification systems such as our Ion Gateway<sup>®</sup> or MetroMail<sup>™</sup> systems, for real-time notification capability
- Ion<sup>®</sup> digital level control technology provides superior performance and reliability when compared to industry standard mechanical pump switches



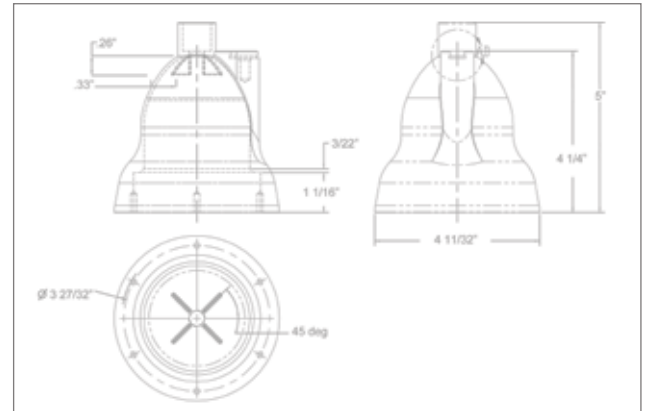


### Typical Installation

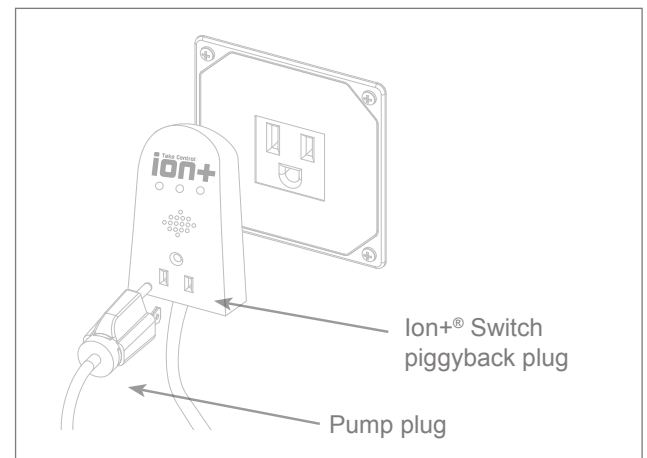


1. Ion+® piggyback plug with audible alarm and visual status LEDs
2. Ion+® digital level control sensor
3. Standard Ion® StormPro® pump (not included)
4. Basin (not included)

### Switch Dimensions



### Piggyback Plug Illustration



### System Specifications

- Built in alarm and monitoring system
- Power, system and high water LEDs indicate system status
- Audible alarm buzzer
- Dry contact
- Remote alarm port - type RJ11
- First of a kind solid-state sensing technology with no moving parts
- Starts and stops pump via the piggyback pump power receptacle
- Multipoint sealing mechanism that supersedes single surface seals
- Inverter rated for use with most battery backup systems
- No contact points
- 3 year warranty

Take Control.  
**ION**  
Controllers



# Ion Genesis®

## Smart Controller and Sensors



The Ion Genesis® is a first of a kind digital pump controller that is designed to operate one or two pumps (one at a time). The Ion® digital level sensors are used in place of standard float switches and allow for an adjustable on level from 2.5" to 24" in 0.5" increments. The Ion Genesis® controller incorporates smart sensing technology that utilizes critical system information such as pump amp draw, how long the pump operates, water level, and many more features.

You can collect and analyze system data never before possible with the level sensor controllers. Any change or variation in your system performance will sound an alarm or alert of possible equipment failure before flooding occurs. This new technology allows you to adjust the turn on level of your system without removing the system cover.

Patent No. 8,591,198 & 8,907,789 B2

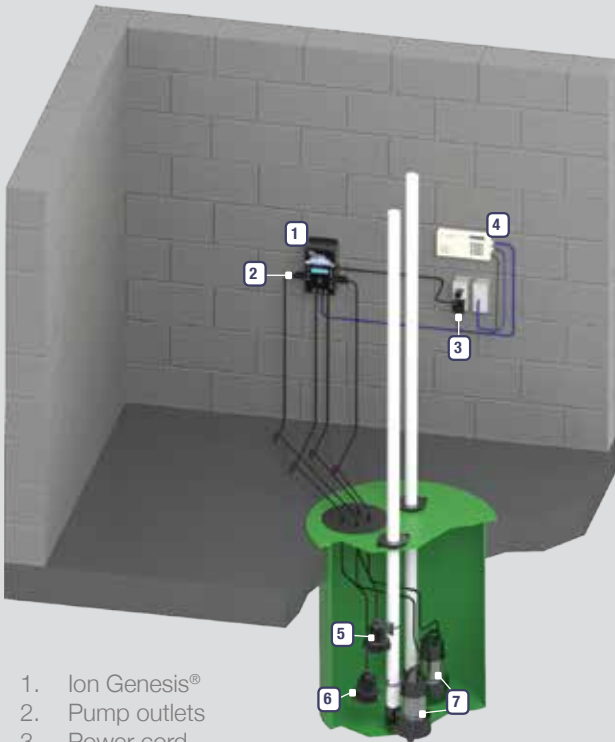


37 Forestwood Dr., Romeoville, IL 60446 [www.ionproducts.net](http://www.ionproducts.net) [815] 886-9200

# Ion Genesis®

Smart Controller and Sensors

## Typical Installation Diagram



1. Ion Genesis®
2. Pump outlets
3. Power cord
4. Dialer (optional)
5. High water sensor
6. Digital level sensor
7. Pumps (optional)

## System Features



1. LED Lights: Indicate when the pump or pumps are running, system power, and alarm mode.
2. LCD Screen: Displays vital equipment data and alarm notifications.
3. Plug & Play Outlets: Pump(s) plug directly into controller just as they would a wall outlet.
4. Ion® Digital Level Sensor: Operates a single pump or alternates two pumps and communicates system functions to and from the Ion Genesis® controller.
5. Ion® Digital High Water Sensor: Detects high water and also acts as a secondary switch in case the primary Ion® sensor fails.
6. Remote Alarm Contact: Connects to optional dialer or existing security system for remote monitoring when you're away.
7. Reset/Test Button: Allows user to manually test system without having to access basin.
8. On Level: Manually adjust the pumping turn on level from 2.5" to 24" in 0.5" increments.

## System Specifications

- Featuring Ion® digital level sensors
  - First of its kind solid-state sensing technology with no moving parts
  - Multipoint sealing mechanism that supersedes single surface seals
  - Rated at 2 million cycles, it will last 4 times longer than a standard pump switch
- Voltage: 120 VAC, 60 Hz
- Output Capacity (per outlet): ½ HP, 12 FLA, 15 amp max, 72 LRA
- Remote Alarm Contacts: Normally closed (open during alarm state) 30 V/DC @ 1 amp max
- Temperature Range: 32° F to 104° F (0° C to 40° C)
- Audible Alarm: 80 dB @ 10 ft.
- Enclosure: NEMA-1 UL94V-0 ABS
- Mounting Hardware (controller): (4) #10 Screws (not included)
- Mounting Dimensions (controller): 8.25" X 3.5"
- 3 year warranty

Take Control.  
**ION**  
Controllers

Now available  
with optional  
factory installed  
Ethernet Module.



# Ion® Endeavor

## Smart Controller and Sensors



- Three model options
- First of a kind 115 or 230 volt standard plug in receptacle, dual pump run and alternating controller for residential and commercial applications
- Ion® sensors communicate with controller to provide controller based turn on level adjustment from 2.5" to 72" for optimal pump operation
- Track critical information through the panel based display, including switch failure, pump amp draw, water level, and more
- Wide range of communication options available

Patent No. 8,591,198 & 8,907,789 B2

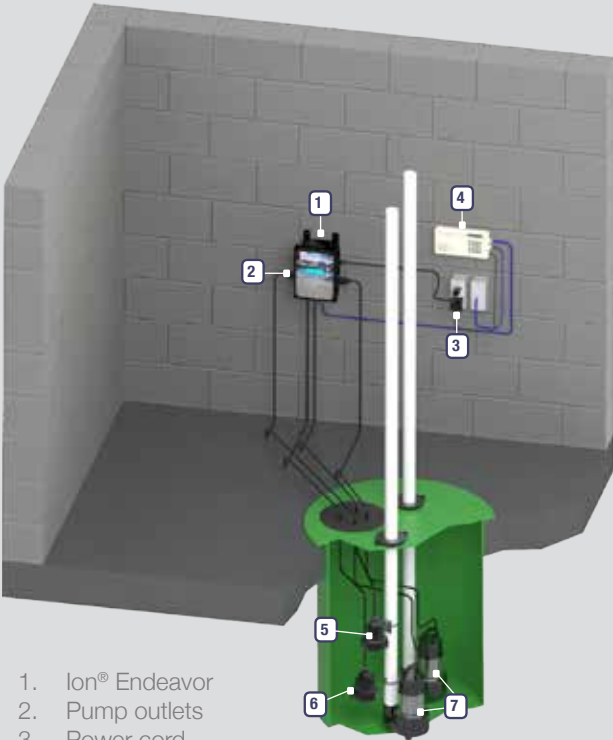


37 Forestwood Dr., Romeoville, IL 60446 [www.ionproducts.net](http://www.ionproducts.net) [815] 886-9200

# Ion® Endeavor

Smart Controller and Sensors

## Typical Installation Diagram



1. Ion® Endeavor
2. Pump outlets
3. Power cord
4. Dialer (optional)
5. High water sensor
6. Digital level sensor
7. Pumps (optional)

## Controller Options

	Endeavor Power Plug Configuration	Dedicated Supporting Wall Receptacle Needed
<b>Model 100-15</b> operates two (2) 120 VAC, single-phase pumps, up to 12 amps total	 115 V, 15 A	 115 V, 15 A
<b>Model 100-20</b> operates two (2) 120 VAC, single-phase pumps, up to 16 amps total	 115 V, 20 A	 115 V, 20 A
<b>Model 200-15</b> operates two (2) 208-240 VAC single-phase pumps, up to 12 amps total	 230 V, 15 A	 230 V, 15 A

## System Specifications

- Featuring Ion® digital level sensors
  - First of its kind solid-state sensing technology with no moving parts
  - Multipoint sealing mechanism that supersedes single surface seals
  - Rated at 2 million cycles, it will last 4 times longer than a standard pump switch
- Simultaneously operates two (2) single-phase plug in pumps together when required
- Automatic pump alternation based on duty cycle and/or pump availability
- Clean & safe operation
- Microprocessor based process controls continually monitor system
- Dry digital contact for common alarm, allows remote monitoring
- Metropolitan's variety of optional com-devices allow many communications possibilities:
  - Ethernet Module: system status via web page and email or text message alerts
  - Ion Gateway®: Cellular based unit sends email or text message alerts
  - Telephone Dialer: Phone line unit sends voice message alerts
- 3 year warranty

# Take Control. **ION** Packages

Now available  
with optional  
factory installed  
Ethernet Module.



## Ion® Endeavor WC33



All parts included to install a smart controller with sensors & pump

- First of a kind 115 volt standard plug in receptacle, dual pump run and alternating controller for residential and commercial applications
- Ion® sensors communicate with controller to provide controller based turn on level adjustment from 2.5" to 72" for optimal pump operation
- Track critical information through the panel based display, including switch failure, pump amp draw, water level and more
- Wide range of communication options available



37 Forestwood Dr., Romeoville, IL 60446 [www.ionproducts.net](http://www.ionproducts.net) [815] 886-9200

Patents Pending, Patent No. 8,591,198

# Ion® Endeavor WC33

## System Specifications

- Typical Applications
- Basement sump
  - Dewatering
  - Septic tank effluent

Maximum Capacity Up to 45 GPM

Maximum Head Up to 24'

Electrical Data 115 V, 1 Ø, 4 FLA, 60 Hz

Motor Data 1/3 HP, 3450 RPM

Recommended Minimum Basin Size 18" x 24"

Manual Operation M: Manual

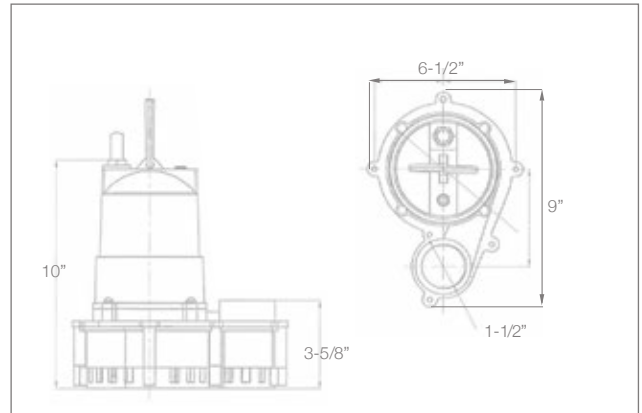
Materials of Construction Cast iron & engineered thermoplastic

Power Cord 10' Standard

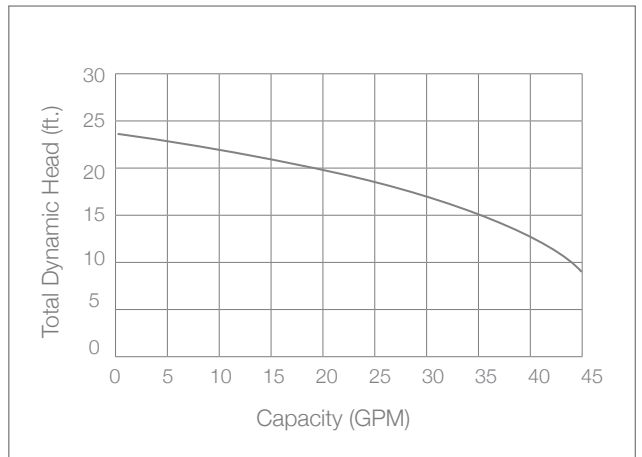
Discharge 1 1/2" NPT

Solids 1/2"

## WC33 Sump Pump Dimensions



## WC33 Sump Pump Performance



## Features

- Carbon ceramic mechanical seal
- Oil-filled high efficiency PSC motor that uses half the AC power of most 1/3 HP pumps
- Ion® digital level control sensor has no moving parts (standard)
- Size allows 2 pumps in 18" basin
- 3 year warranty

# Take Control. **ION** Packages

Now available  
with optional  
factory installed  
Ethernet Module.



## Ion® Endeavor BA33

All parts included to install a smart controller with sensors & pump



- First of a kind 115 volt standard plug in receptacle, dual pump run and alternating controller for residential and commercial applications
- Ion® sensors communicate with controller to provide controller based turn on level adjustment from 2.5" to 72" for optimal pump operation
- Track critical information through the panel based display, including switch failure, pump amp draw, water level and more
- Wide range of communication options available



37 Forestwood Dr., Romeoville, IL 60446 [www.ionproducts.net](http://www.ionproducts.net) [815] 886-9200

Patents Pending, Patent No. 8,591,198

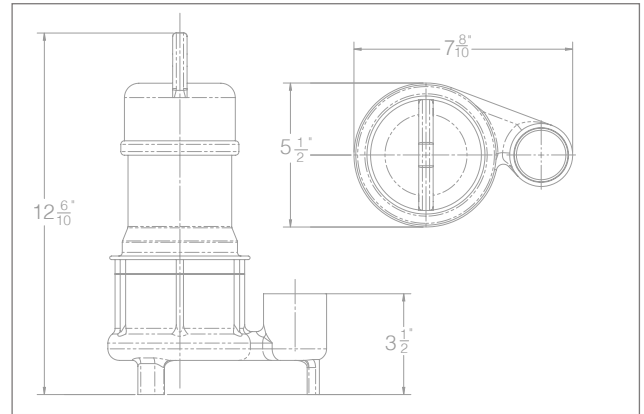


# Ion® Endeavor BA33

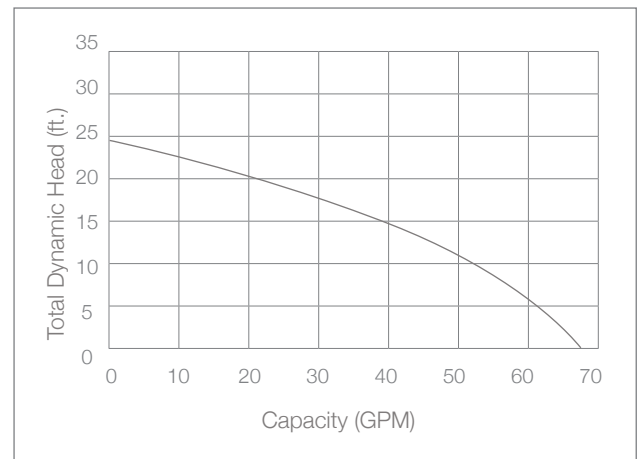
## System Specifications

Typical Applications	<ul style="list-style-type: none"><li>• Basement sump</li><li>• Dewatering</li></ul>
Maximum Capacity	Up to 68 GPM
Maximum Head	Up to 25'
Electrical Data	115 V, 1 Ø, 4.5 FLA, 60 Hz
Motor Data	1/3 HP, 3450 RPM
Recommended Minimum Basin Size	18" x 24"
Manual Operation	M: Manual
Materials of Construction	Cast iron & stainless steel
Impeller	Thermoplastic vortex
Power Cord	10' Standard
Discharge Size	1½" NPT
Solids Handling	½"

## BA33 Sump Pump Dimensions



## BA33 Sump Pump Performance



## Features

- Energy efficient motor
- Carbon ceramic mechanical seal
- Thermal overload protection
- Ion® digital level control sensor has no moving parts (standard)
- Stainless steel screen prevents debris from entering the pump
- 3 year warranty

# Take Control. **ION** Packages

Now available  
with optional  
factory installed  
Ethernet Module.



## Ion® Endeavor BA50

All parts included to install a smart controller with sensors & pump



- First of a kind 115 volt standard plug in receptacle, dual pump run and alternating controller for residential and commercial applications
- Ion® sensors communicate with controller to provide controller based turn on level adjustment from 2.5" to 72" for optimal pump operation
- Track critical information through the panel based display, including switch failure, pump amp draw, water level and more
- Wide range of communication options available



37 Forestwood Dr., Romeoville, IL 60446 [www.ionproducts.net](http://www.ionproducts.net) [815] 886-9200

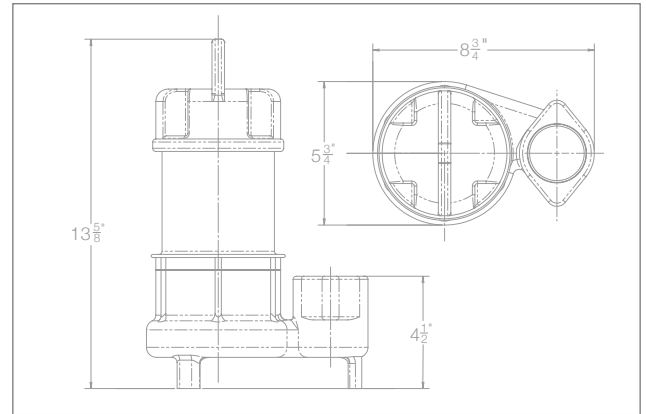
Patents Pending, Patent No. 8,591,198

# Ion® Endeavor BA50

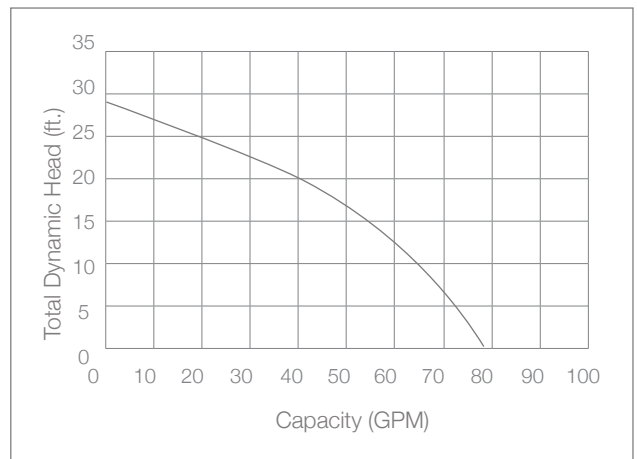
## System Specifications

Typical Applications	<ul style="list-style-type: none"><li>• Basement sump</li><li>• Dewatering</li></ul>
Maximum Capacity	Up to 78 GPM
Maximum Head	Up to 29'
Electrical Data	115 V, 1 Ø, 5.8 FLA, 60 Hz
Motor Data	½ HP, 3450 RPM
Recommended Minimum Basin Size	18" x 24"
Manual Operation	M: Manual
Materials of Construction	Cast iron & stainless steel
Impeller	Cast iron vortex
Power Cord	10' Standard (20' optional)
Discharge Size	2" NPT
Solids Handling	½"

## BA50 Sump Pump Dimensions



## BA50 Sump Pump Performance



## Features

- Energy efficient motor
- Carbon ceramic mechanical seal
- Thermal overload protection
- Ion® digital level control sensor has no moving parts (standard)
- Stainless steel screen prevents debris from entering the pump
- 3 year warranty

Take Control.  
**ION**  
Systems



# StormPro® 2100DC

## Battery Backup System

- High quality DC pump capable of pumping over 2,100 gallons per hour
- Heavy duty adjustable vertical float switch for maximum reliability
- High output 8 amp charger unit with 5 charging stages
- Safe for use with AGM maintenance free batteries
- Built-in audible alarm and indicator lights for added protection
- Pump base keeps the pump off the bottom of the basin to avoid clogging from debris
- UL listings ensure reliability

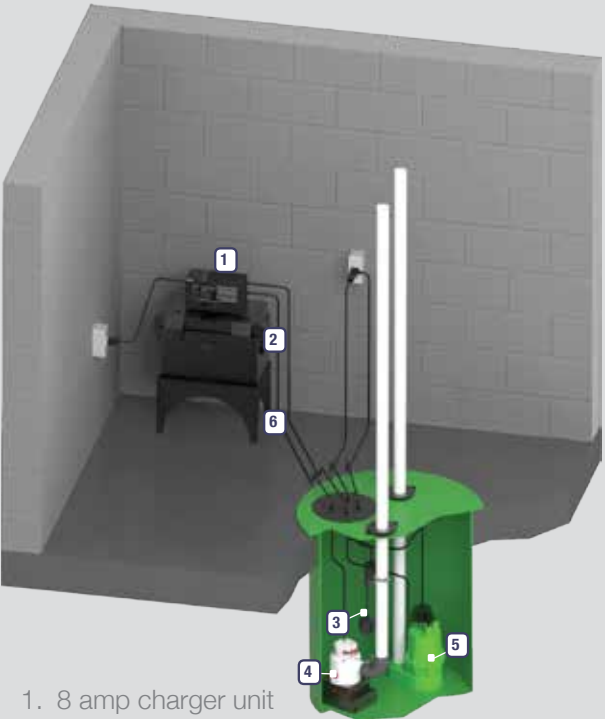


37 Forestwood Dr., Romeoville, IL 60446 [www.ionproducts.net](http://www.ionproducts.net) (815) 886-9200

# StormPro® 2100DC

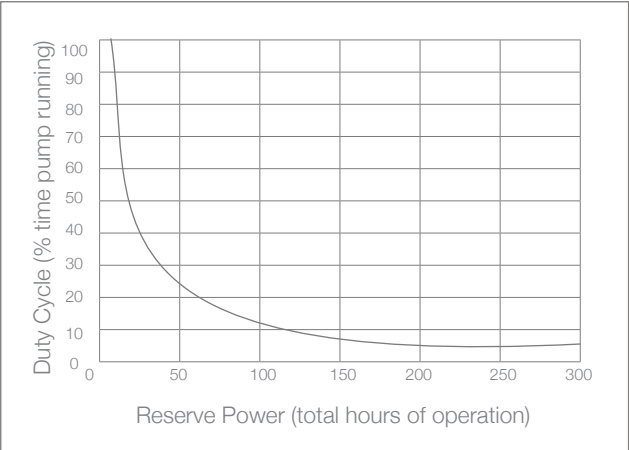
Battery Backup System

## Typical Installation Diagram



1. 8 amp charger unit
2. Battery box
3. Backup switch
4. 12 volt backup pump
5. Primary sump pump (not included)
6. Stand (optional)

## System Performance



## System Specifications

- Includes
- 12 volt DC pump
  - Pump base
  - Battery box
  - Heavy duty float switch
  - 8 amp charger with built-in audible alarm and status lights

Input Voltage AC

Output Voltage DC

Pump Type 12 volt DC submersible

Capacity 35 GPM / 2,100 GPH @ 10'

Installation Floor mount

Options Stand, battery add-on kit

Warranty 3 years

Take Control.  
**ION**  
Systems



# 30ACi

## Battery Backup System

- Fully automatic auxiliary power source
- Backup system runs on AC or DC power
- Runs the same 1/3 HP pump with power on or off
- Ion® digital level control switch has no moving parts



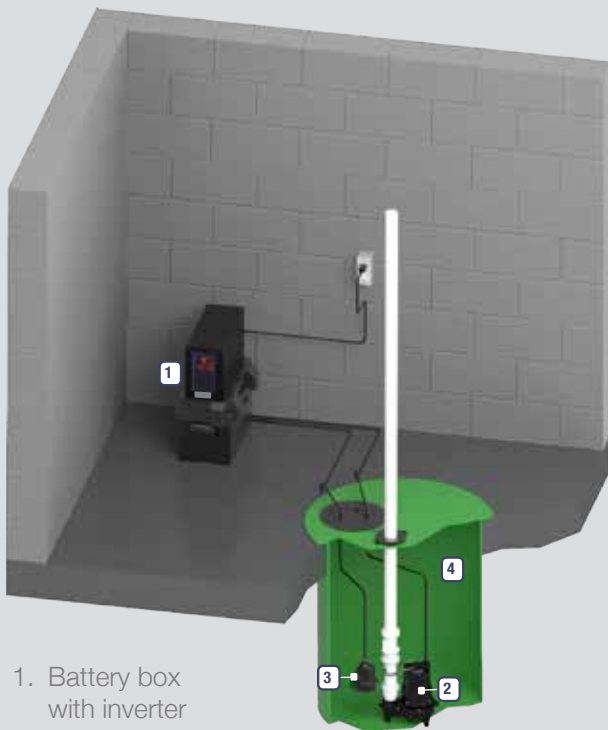
37 Forestwood Dr., Romeoville, IL 60446 [www.ionproducts.net](http://www.ionproducts.net) [815] 886-9200

Patent No. 8,591,198

# 30ACi

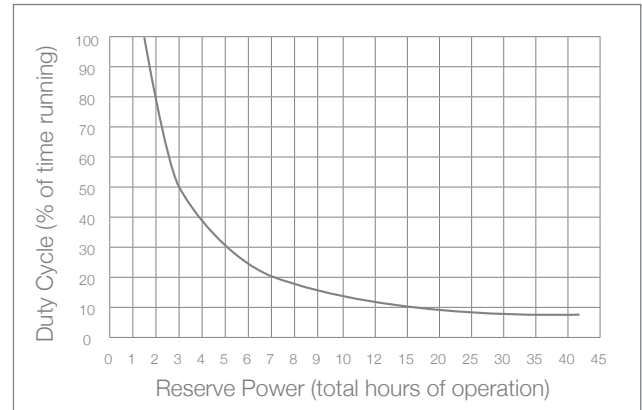
## Battery Backup System

### Typical Installation Diagram

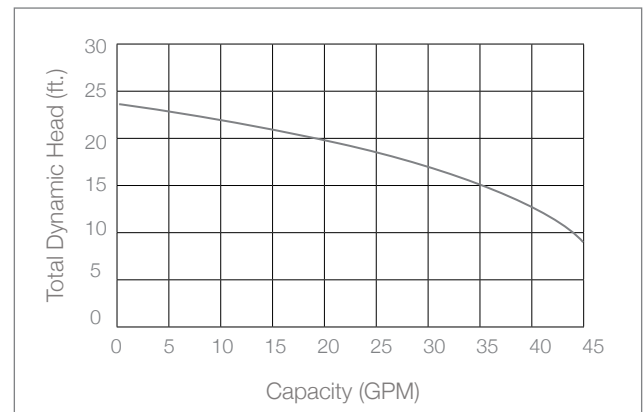


1. Battery box with inverter
2. 1/3 HP Ion® StormPro® WC33 sump pump
3. Ion® digital level control switch
4. Recommended minimum basin size: 18" x 24" (not included)

### System Performance



### Pump Performance



### System Specifications

- 1/3 HP pump with PSC, energy efficient motor: 4.0 amps
- Up to 45 GPM
- Fully automatic, converts 12 volt DC to 120 volt AC when power is off
- Runs 1/3 HP pump on AC or DC power
- Inverter has digital display, tells status of system at all times
- Uses one 12 volt deep cycle AGM battery (battery is NOT included)
- Non-corrosive battery enclosure
- Includes piggyback Ion® digital level control switch with no moving parts
  - First of its kind solid-state sensing technology with no moving parts
  - Multipoint sealing mechanism that supersedes single surface seals
  - Rated at 2 million cycles, it will last 4 times longer than a standard pump switch
- Quick and easy installation
- 3 year warranty

Take Control.  
**ION**  
Systems



# 30ACi Deluxe

## Battery Backup System

- Fully automatic auxiliary power source
- Backup system runs on AC or DC power
- Runs the same 1/3 HP pump with power on or off
- Ion Genesis® controller monitors all pump activity
- Full digital display on inverter and controller
- Ion® digital level sensors have no moving parts



37 Forestwood Dr., Romeoville, IL 60446 [www.ionproducts.net](http://www.ionproducts.net) [815] 886-9200

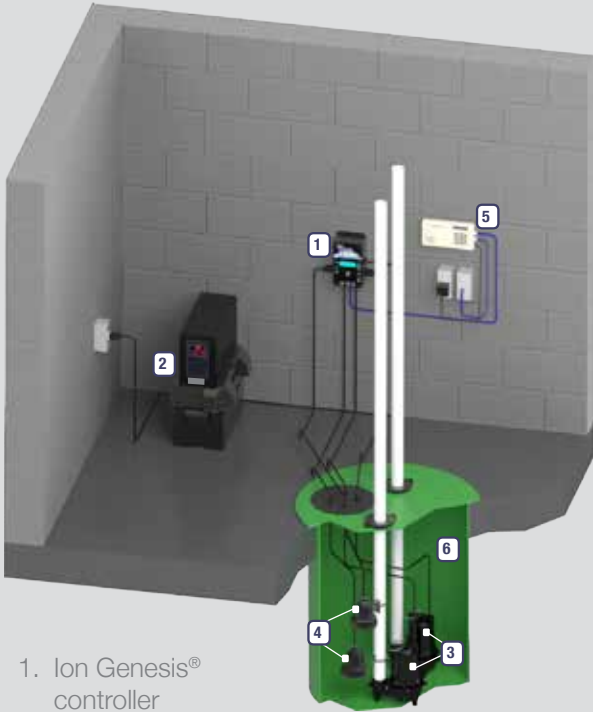
Patents Pending, Patent No. 8,591,198



# 30ACi Deluxe

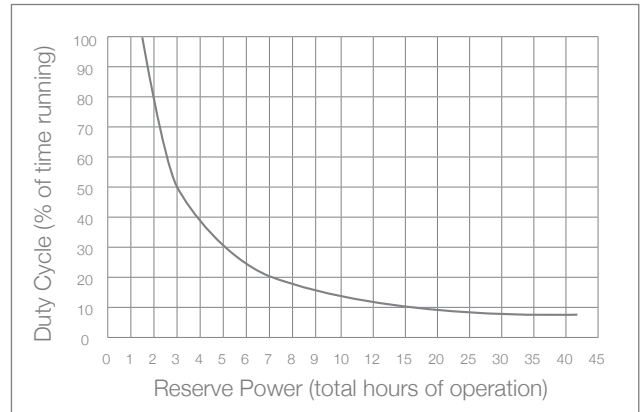
Battery Backup System

## Typical Installation Diagram

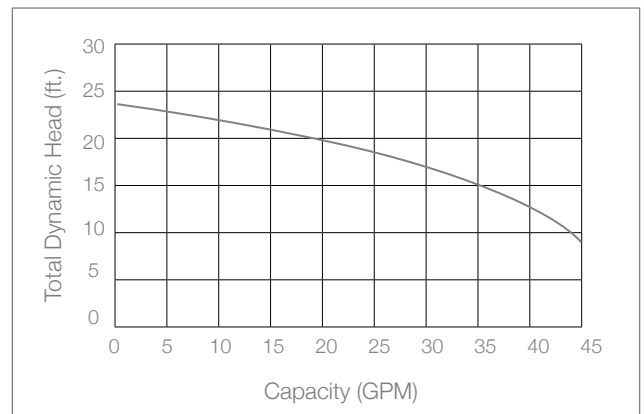


1. Ion Genesis® controller
2. Battery box with inverter
3. 1/3 HP Ion® StormPro® WC33 sump pump
4. Ion® digital level control sensors
5. Phone dialer (optional)
6. Recommended minimum basin size: 18" x 24" (not included)

## System Performance



## Pump Performance



## System Specifications

- 1/3 HP pump with PSC, energy efficient motor: 4.0 amps
- Up to 45 GPM
- Fully automatic, converts 12 volt DC to 120 volt AC when power is off
- Ion Genesis® controller alternates each pump and alarms
- Runs 1/3 HP pump on AC or DC power
- Inverter has digital display, tells status of system at all times
- Uses one 12 volt deep cycle AGM battery (battery is NOT included)
- Non-corrosive battery enclosure
- Includes piggyback Ion® digital level control sensors with no moving parts
  - First of its kind solid-state sensing technology with no moving parts
  - Multipoint sealing mechanism that supersedes single surface seals
  - Rated at 2 million cycles, it will last 4 times longer than a standard pump switch
- Quick and easy installation
- 3 year warranty

Take Control.  
**ION**  
Systems



# 35ACi

## Battery Backup System

- Fully automatic auxiliary power source
- Backup system runs on AC or DC power
- Runs the same 1/3 HP pump with power on or off
- Ion® digital level control switch has no moving parts



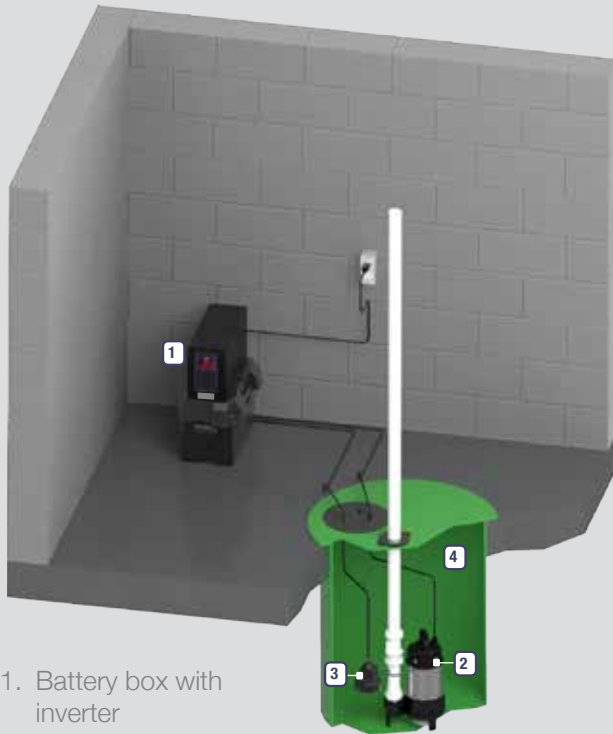
37 Forestwood Dr., Romeoville, IL 60446 [www.ionproducts.net](http://www.ionproducts.net) [815] 886-9200

Patent No. 8,591,198

# 35ACi

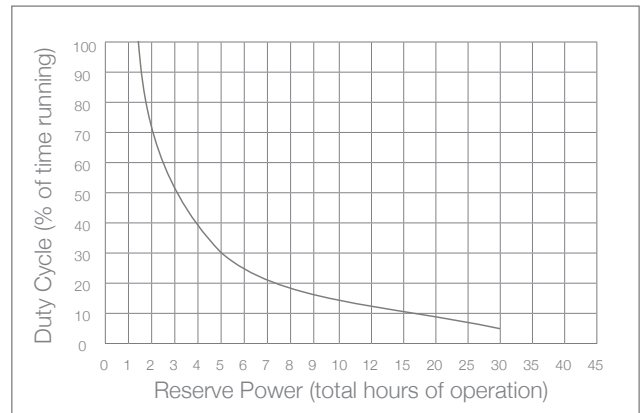
## Battery Backup System

### Typical Installation Diagram

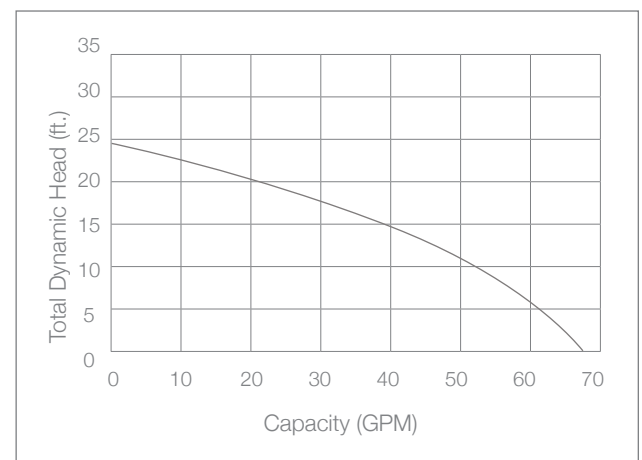


1. Battery box with inverter
2. 1/3 HP Ion® StormPro® sump pump
3. Ion® digital level control switch
4. Recommended minimum basin size: 18" x 24" (not included)

### System Performance



### Pump Performance



### System Specifications

- 1/3 HP pump with PSC, energy efficient motor: 4.5 amps
- Up to 68 GPM
- Fully automatic, converts 12 volt DC to 120 volt AC when power is off
- Runs 1/3 HP pump on AC or DC power
- Inverter has digital display, tells status of system at all times
- Uses one 12 volt deep cycle AGM battery (battery NOT included)
- Non-corrosive battery enclosure
- Includes piggyback Ion® digital level control switch with no moving parts
- Quick and easy installation
- 3 year warranty

Take Control.  
**ION**  
Systems



# 35ACi Deluxe

## Battery Backup System

- Fully automatic auxiliary power source
- Backup system runs on AC or DC power
- Runs the same 1/3 HP pump with power on or off
- Ion Genesis® controller monitors all pump activity
- Full digital display
- Ion® digital level sensors have no moving parts



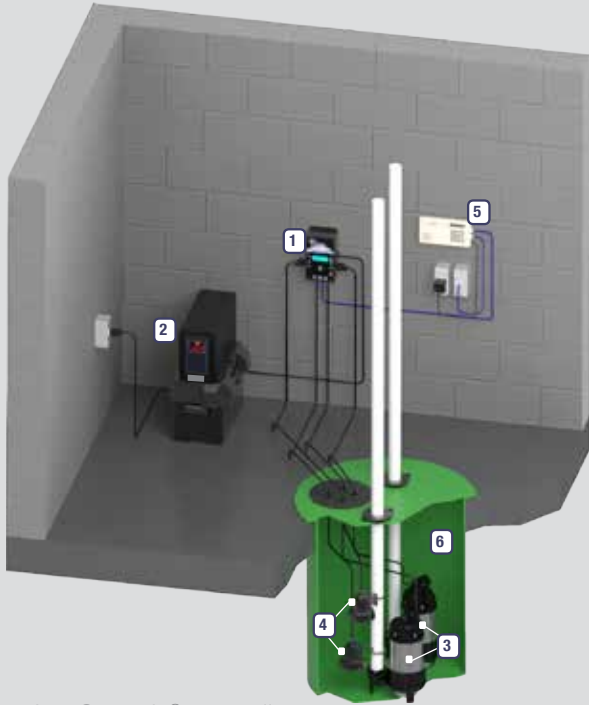
37 Forestwood Dr., Romeoville, IL 60446 [www.ionproducts.net](http://www.ionproducts.net) [815] 886-9200

Patents Pending, Patent No. 8,591,198

# 35ACi Deluxe

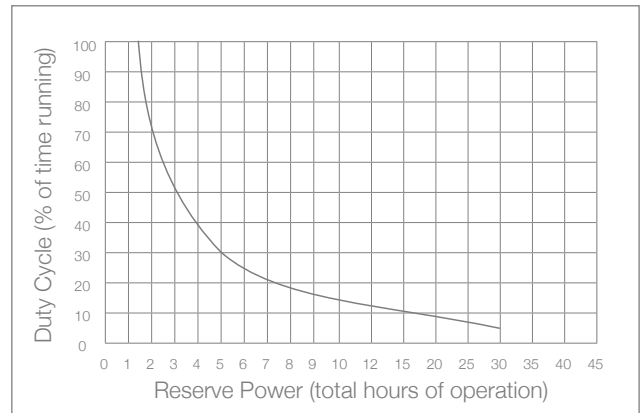
Battery Backup System

## Typical Installation Diagram

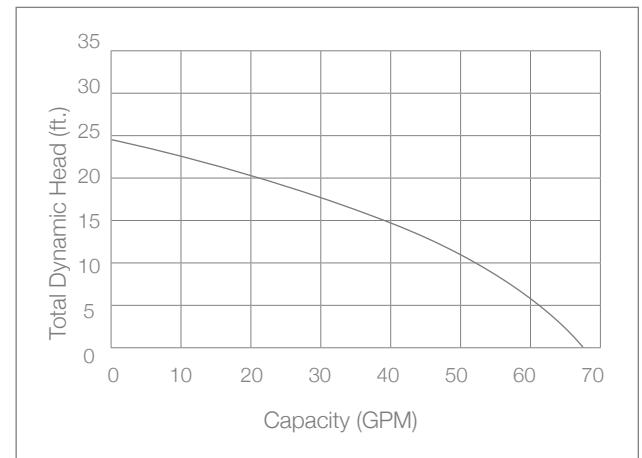


1. Ion Genesis® controller
2. Battery box with inverter
3. Ion® StormPro® sump pumps
4. Ion® digital level control sensors
5. Optional phone dialer
6. Recommended minimum basin size: 18" x 24" (not included)

## System Performance



## Pump Performance



## System Specifications

- 1/3 HP pump with PSC, energy efficient motor: 4.5 amps
- Up to 68 GPM
- Fully automatic, converts 12 volt DC to 120 volt AC when power is off
- Runs 1/3 HP pump on AC or DC power
- Inverter has digital display, tells status of system at all times
- Uses one 12 volt deep cycle AGM battery (battery NOT included)
- Non-corrosive battery enclosure
- Includes piggyback Ion® digital level control switch with no moving parts
- Quick and easy installation
- 3 year warranty

Take Control.  
**ION**  
Systems



# 50ACi

## Battery Backup System

- Fully automatic auxiliary power source
- Backup system runs on AC or DC power
- Runs the same ½ HP pump with power on or off
- Ion® digital level control switch has no moving parts



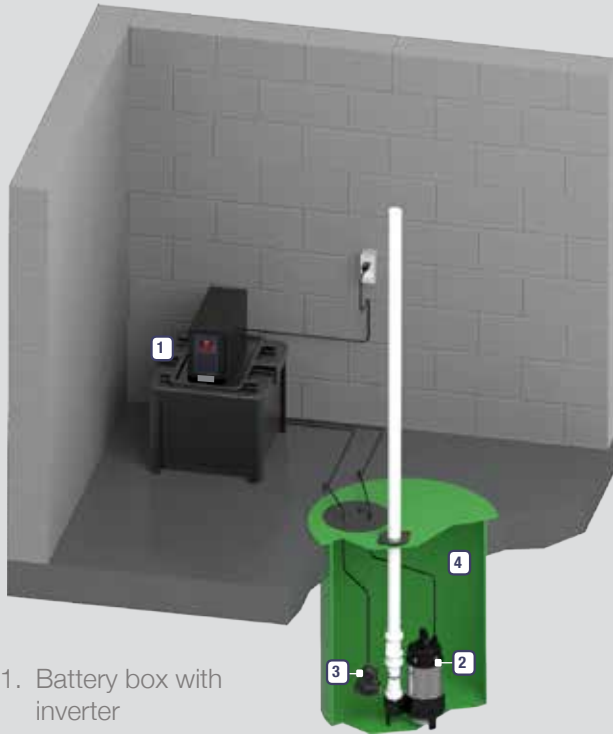
37 Forestwood Dr., Romeoville, IL 60446 [www.ionproducts.net](http://www.ionproducts.net) [815] 886-9200

Patents Pending, Patent No. 8,591,198

# 50ACi

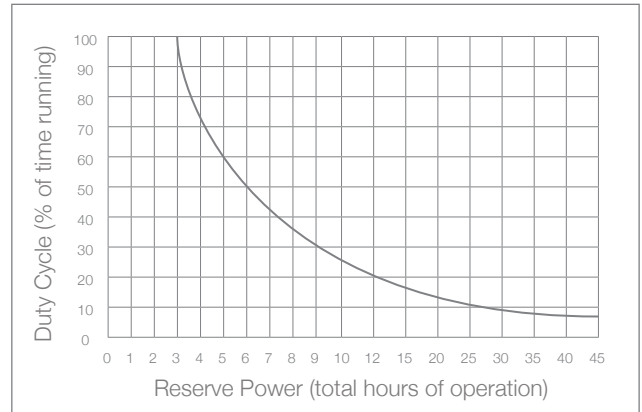
## Battery Backup System

### Typical Installation Diagram

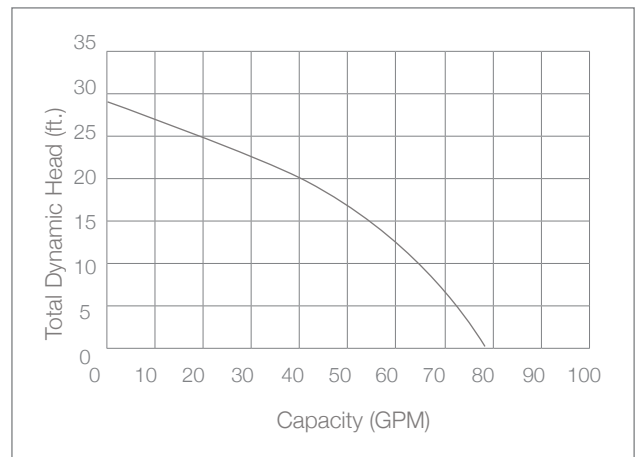


1. Battery box with inverter
2. 1/2 HP Ion<sup>®</sup> StormPro<sup>®</sup> sump pump
3. Ion<sup>®</sup> digital level control switch
4. Recommended minimum basin size: 18" x 24" (not included)

### System Performance



### Pump Performance



### System Specifications

- 1/2 HP pump with PSC, energy efficient motor: 5.8 amps
- Up to 78 GPM
- Fully automatic, converts 24 volt DC to 120 volt AC when power is off
- Runs 1/2 HP pump on AC or DC power
- Inverter has digital display, tells status of system at all times
- Uses two 12 volt deep cycle AGM batteries (batteries are NOT included)
- Non-corrosive battery enclosure
- Includes piggyback Ion<sup>®</sup> digital level control switch with no moving parts
  - First of its kind solid-state sensing technology with no moving parts
  - Multipoint sealing mechanism that supersedes single surface seals
  - Rated at 2 million cycles, it will last 4 times longer than a standard pump switch
- Quick and easy installation
- 3 year warranty

Take Control.  
**ION**  
Systems



# 50ACi Deluxe

## Battery Backup System

- Fully automatic auxiliary power source
- Backup system runs on AC or DC power
- Runs the same ½ HP pump with power on or off
- Ion Genesis® controller monitors all pump activity
- Full digital display
- Ion® digital level sensors have no moving parts



37 Forestwood Dr., Romeoville, IL 60446 [www.ionproducts.net](http://www.ionproducts.net) [815] 886-9200

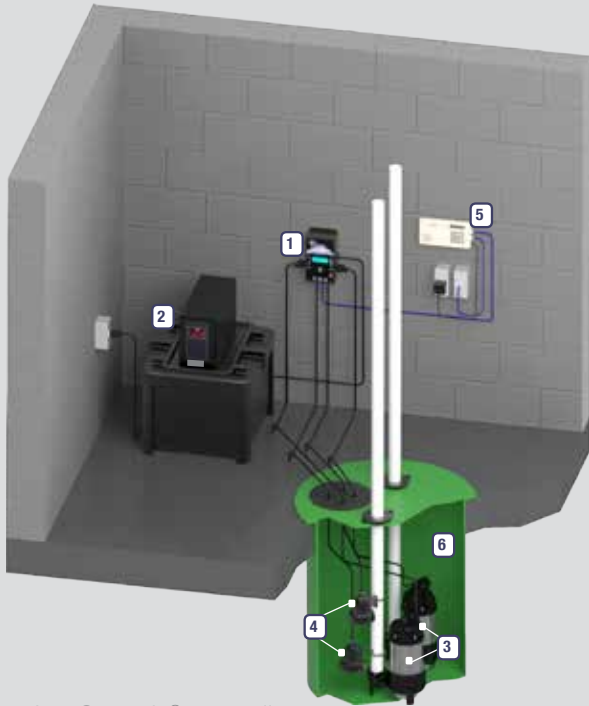
Patents Pending, Patent No. 8,591,198



# 50ACi Deluxe

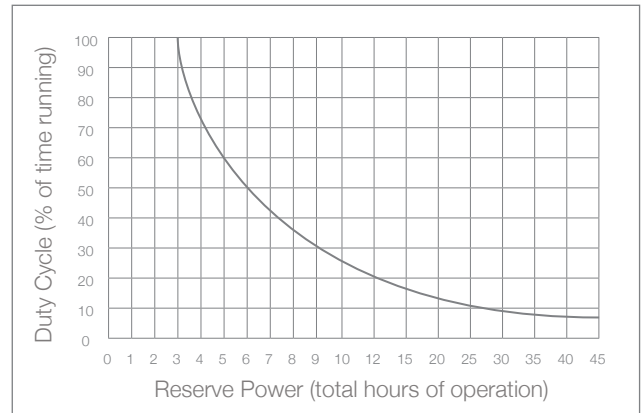
Battery Backup System

## Typical Installation Diagram

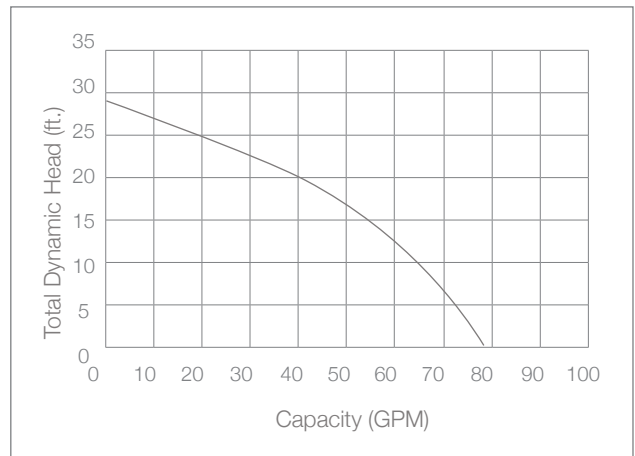


1. Ion Genesis® controller
2. Battery box with inverter
3. Ion® StormPro® sump pumps
4. Ion® digital level control sensors
5. Optional phone dialer
6. Recommended minimum basin size: 18" x 24" (not included)

## System Performance



## Pump Performance



## System Specifications

- ½ HP pump with PSC, energy efficient motor: 5.8 amps
- Up to 78 GPM
- Fully automatic, converts 24 volt DC to 120 volt AC when power is off
- Ion Genesis® controller alternates each pump and alarms
- Runs ½ HP pump on AC or DC power
- Inverter has digital display, tells status of system at all times
- Uses two 12 volt deep cycle AGM batteries (batteries are NOT included)
- Non-corrosive battery enclosure
- Includes piggyback Ion® digital level control sensors with no moving parts
  - First of its kind solid-state sensing technology with no moving parts
  - Multipoint sealing mechanism that supersedes single surface seals
  - Rated at 2 million cycles, it will last 4 times longer than a standard pump switch
- Quick and easy installation
- 3 year warranty

Revised: 05.06.14 15:17

Take Control.  
**ION**  
**Sumpro**



# Sumpro<sup>®</sup>

## Battery Backup System

- Smaller footprint & lighter than original Sumpro<sup>®</sup> with quieter operation
- Easy to read LCD screen for real time monitoring
- Alarm contact for remote monitoring and notification
- Solar & wind inputs for battery charging
- Improved charging circuit
- High inrush capability

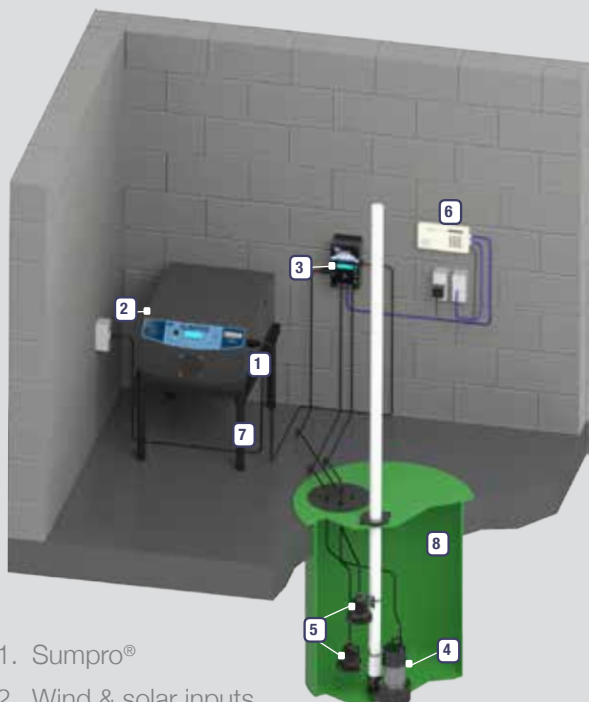


Patents Pending, Patent No. 5,508,905  
37 Forestwood Dr., Romeoville, IL 60446 [www.ionproducts.net](http://www.ionproducts.net) [815] 886-9200

# Sumpro®

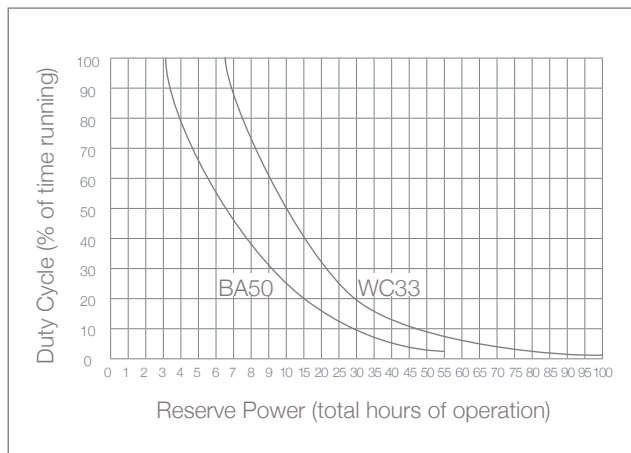
## Battery Backup System

### Typical Installation Diagram



1. Sumpro®
2. Wind & solar inputs
3. Ion Genesis® (optional)
4. Sump pump (optional)
5. Ion Genesis® sensors (optional)
6. Phone dialer (optional)
7. Stand (optional)
8. Recommended minimum basin size: 18" x 24" (not included)

### System Performance



Performance curve results using a 1/3 and 1/2 HP pump with (2) fully charged Power+ 100 amp hour batteries.

### Dimensions



### System Specifications

System Model	Sumpro® Model 100
Includes	<ul style="list-style-type: none"> <li>• 15 amp inverter with status lights</li> <li>• Dual battery box with fuse bar</li> </ul>
Input Voltage	120 VAC/24VDC (2 batteries, sold separately), 60 Hz, 12 amp
Output Voltage	120 VAC, 12 amp
Pump Type	Any 115 volt pump up to 12 amps (not included)
Options	Stand, battery add-on kit, Ion Genesis®
Weight	60 lbs
Warranty	3 years

Take Control.  
**ION**  
**Sumpro**



# Sumpro® Platinum

## Battery Backup System

- Runs on either AC or DC power
- Supplied with two ¾ HP, 115 volt sump pumps
- Ion Genesis® controller monitors all pump activity, including pump running current, pump trending, and self testing without having to access the basin
- Ion Genesis® sensors have no moving parts or pieces to fail and will far outlast common switch types
- Can be installed as a backup or primary pump



Patents Pending, Patent No. 5,508,905 & 8,591,198

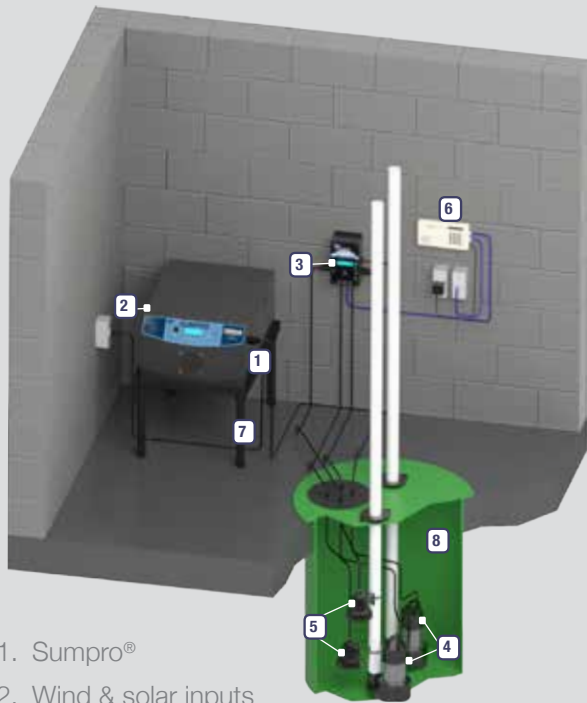


37 Forestwood Dr., Romeoville, IL 60446 [www.ionproducts.net](http://www.ionproducts.net) [815] 886-9200

# Sumpro® Platinum

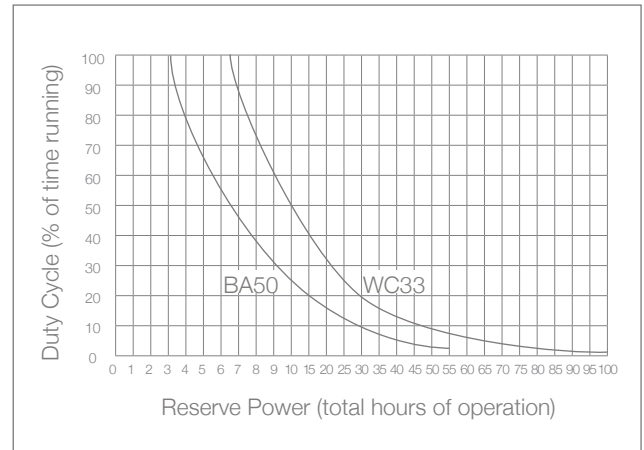
Battery Backup System

## Typical Installation Diagram



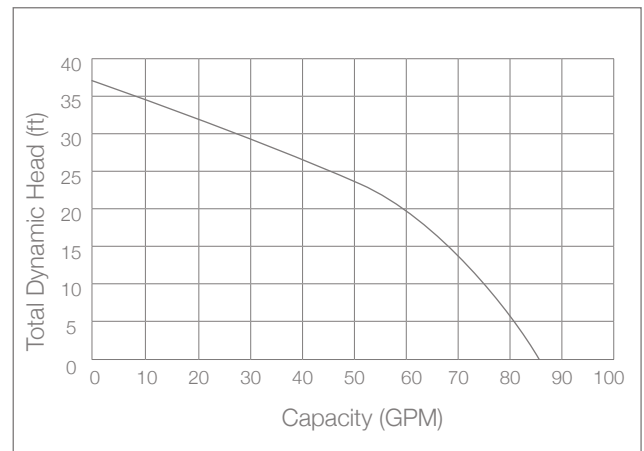
1. Sumpro®
2. Wind & solar inputs
3. Ion Genesis®
4. Dual ¼ HP pumps
5. Ion Genesis® sensors
6. Phone dialer (optional)
7. Stand (optional)
8. Recommended minimum basin size: 18" x 24" (not included)

## System Performance



Performance curve results using a 1/3 and 1/2 HP pump with (2) fully charged Power+ 100 amp hour batteries.

## Pump Performance



## System Specifications

- Sumpro® Model 100 inverter rated for 15 amps
- Input Voltage: AC
- Output Voltage: DC / AC
- Includes (2) ¼ HP pumps, rated up to 85 GPM each, and an Ion Genesis® controller
- Options: Stand, battery add-on kit, automatic phone dialer
- 3 year warranty

Take Control.  
**ION**  
Systems



# JSP11

## Preassembled Sump & Battery Backup System

- All-in-one system with primary and backup pump
- Comes completely assembled with pumps and valves pre-plumbed
- Simply drop into your existing basin and make one discharge connection
- 3 year warranty



37 Forestwood Dr., Romeoville, IL 60446 [www.ionproducts.net](http://www.ionproducts.net) [815] 886-9200

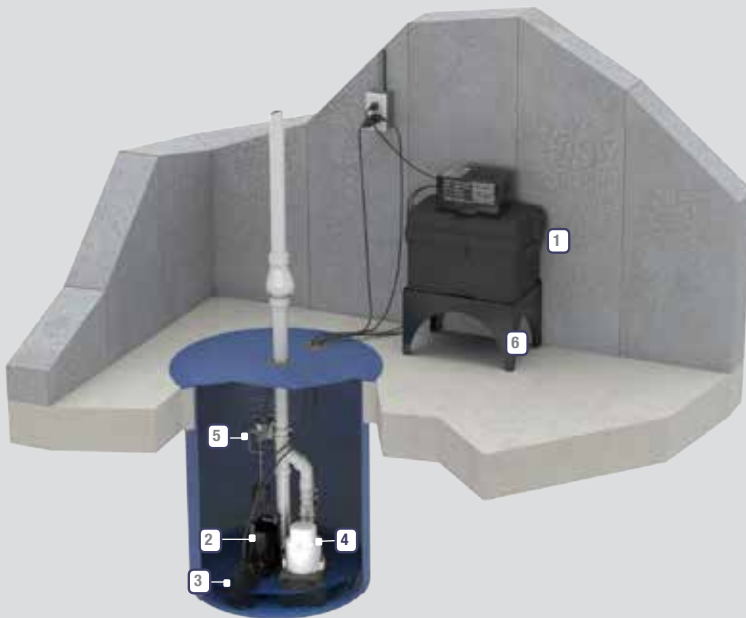
Patent No. 8,591,198

## Preassembled Sump & Battery Backup System

### Primary Pump Specifications

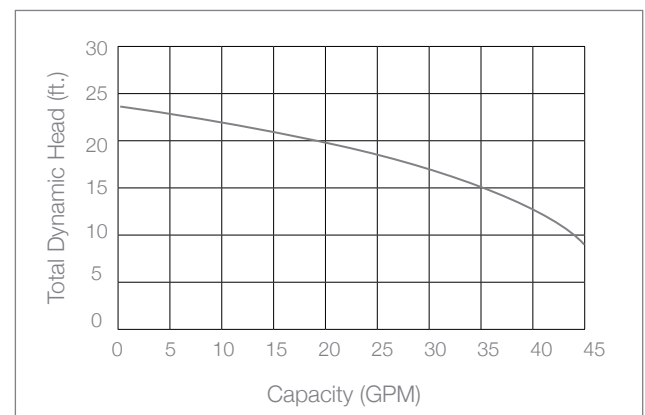
Typical Applications	<ul style="list-style-type: none"> <li>• Residential sump</li> <li>• Dewatering</li> </ul>
Maximum Capacity	Up to 45 GPM
Maximum Head	Up to 24'
Electrical Data	115 V, 1 Ø, 4 FLA, 60 Hz
Motor Data	1/3 HP, PSC, high efficiency motor with thermal overload protection, 3450 RPM
Recommended Minimum Basin Size	18" x 24"
Automatic Operation	i: Ion Digital Level Control
Materials of Construction	Cast iron and engineered thermoplastic
Impeller	Thermoplastic vortex
Power Cord	10' Standard
Discharge	1½" NPT
Solids Handling	½"

### Typical Installation Diagram



1. Battery box with DC charger
2. 1/3 HP primary pump
3. Ion® digital level control switch
4. Backup pump
5. Backup vertical switch
6. Stand (optional)

### Pump Performance



### Battery Backup System Features

- Primary pump with high efficiency oil filled motor that uses half the power of most 1/3 HP pumps
- Piggyback Ion digital level control primary switch with no moving parts
- High quality 2100DC battery backup pump rated for 2,100 GPH
- Backup pump base keeps the pump off the bottom of the basin to avoid clogging from debris
- Heavy duty adjustable vertical backup float switch for maximum reliability
- Solid state 8 amp charger unit with 5 charging stages automatically switches to DC mode when power is out
- Built-in audible alarm and indicator lights on charger for added protection
- Uses one 12 volt deep cycle AGM battery (battery is NOT included)
- 1½" Sch. 40 PVC piping
- Check valve on each pump and a combination valve on the main discharge
- 3 year warranty

Revised: 08.20.14 11:34

Take Control.  
**ION**  
Systems



# JSPIII

## Preassembled Sump & Battery Backup System

- All-in-one system with primary and backup pump
- Comes completely assembled with pumps and valves pre-plumbed
- Simply drop into your existing basin and make one discharge connection
- 3 year warranty

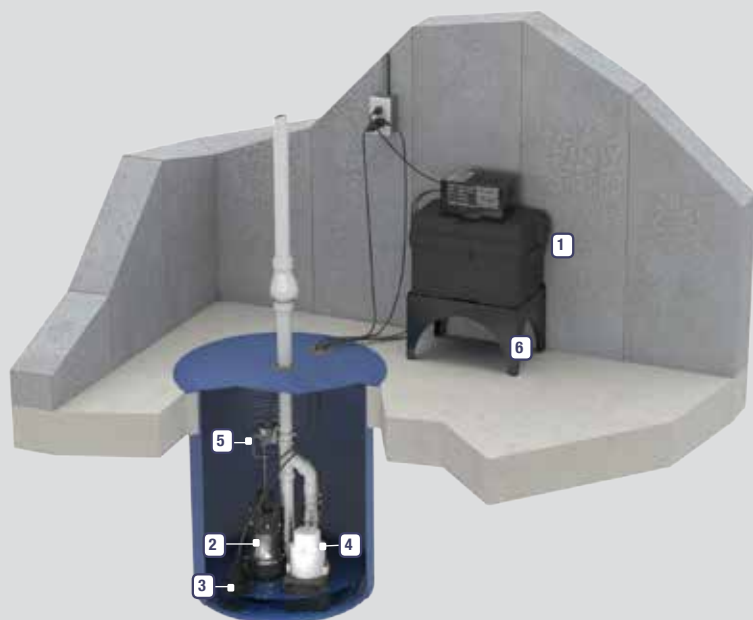


37 Forestwood Dr., Romeoville, IL 60446 [www.ionproducts.net](http://www.ionproducts.net) [815] 886-9200

Patent No. 8,591,198



### Typical Installation Diagram

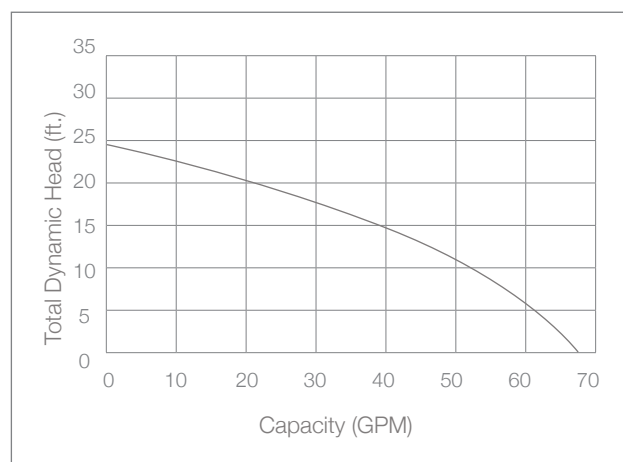


1. Battery box with DC charger
2. 1/3 HP primary pump
3. Ion® digital level control switch
4. Backup pump
5. Backup vertical switch
6. Stand (optional)

### Primary Pump Specifications

Typical Applications	<ul style="list-style-type: none"> <li>• Basement sump</li> <li>• Dewatering</li> </ul>
Maximum Capacity	Up to 68 GPM
Maximum Head	Up to 25'
Electrical Data	115 V, 1 Ø, 4.5 FLA, 60 Hz
Motor Data	1/3 HP, 3450 RPM
Recommended Minimum Basin Size	18" x 24"
Automatic Operation	i: Ion Digital Level Control
Materials of Construction	Cast iron & stainless steel
Impeller	Thermoplastic vortex
Power Cord	10' Standard
Discharge Size	1 1/2" NPT
Solids Handling	1/2"

### Primary Pump Performance



### Battery Backup System Features

- Primary pump with high efficiency oil filled motor that uses half the power of most 1/3 HP pumps
- Piggyback Ion digital level control primary switch with no moving parts
- High quality 2100DC battery backup pump rated for 2,100 GPH
- Backup pump base keeps the pump off the bottom of the basin to avoid clogging from debris
- Heavy duty adjustable vertical backup float switch for maximum reliability
- Solid state 8 amp charger unit with 5 charging stages automatically switches to DC mode when power is out
- Built-in audible alarm and indicator lights on charger for added protection
- Uses one 12 volt deep cycle AGM battery (battery is NOT included)
- 1 1/2" Sch. 40 PVC piping
- Check valve on each pump and a combination valve on the main discharge
- 3 year warranty

Revised: 08.20.14 11:35

Take Control.  
**ION**  
 Products



# Power+

## Maintenance Free AGM Battery

Power+ maintenance free batteries are revolutionizing the way we power our backup systems. Simply connect a battery or batteries to your backup system without having to perform monthly maintenance. The Power+ battery is completely sealed and spill-proof with no risk of exposure to hazardous chemicals. It is safe for standard shipping anywhere in the U.S.



37 Forestwood Dr., Romeoville, IL 60446 [www.ionproducts.net](http://www.ionproducts.net) [815] 886-9200

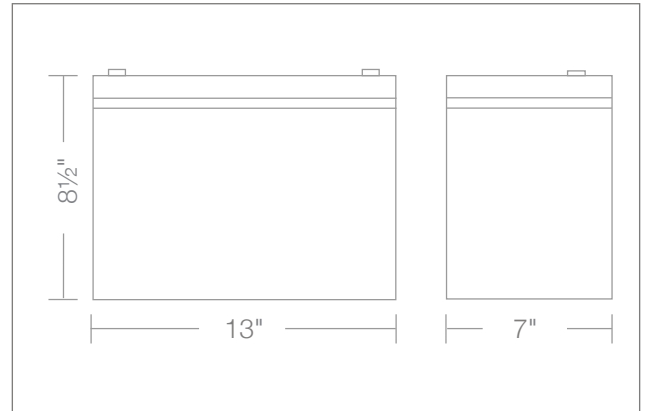
# Power+

Maintenance Free AGM Battery

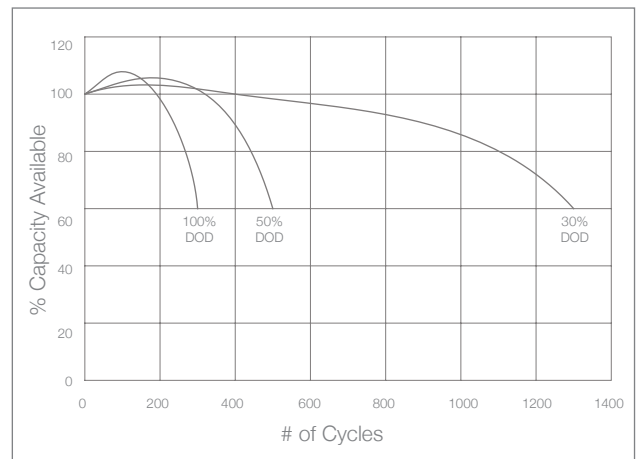
## System Specifications

Item Number	P20233
Nominal Voltage	12 Volt
Size Rating	Group 31
Size L x W x H	13" X 7" X 8½"
Weight	72.5 lbs
Terminal	Type B threaded copper
Bolt Size	M6 bolt

## Dimensions



## Power+ Performance



## Features

- Maintenance free
- Lasts twice as long as typical batteries
- Completely sealed and spill-proof with no exposure to hazardous chemicals
- Safe for standard shipping in the USA
- Works with virtually all types of backup systems
- Performs up to 35% better than standard deep cycle batteries
- 3 year warranty

# Battery Add On Kits

## 12 Volt Kit

- Can be used with any 12 volt battery backup system
- Adding a second battery doubles run time
- Includes 12 volt group 27 or 31 single battery box with lid and 8 AWG (+) Positive and (-) Negative battery cables

## 24 Volt Kit

- Can be used with any 24 volt battery backup system
- Adding a second bank of batteries doubles run time
- Heavy duty plastic enclosure
- Includes 24 volt group 27 and 31 double battery box with lid, 8 AWG (+) Positive and (-) Negative battery cables, and 80 Amp fuse link



# Automatic Dialer

## Alarm Alert System

- Designed to be connected to our Ion Genesis® controller or home security system
- Easily set to call up to 9 different numbers to alert you to an alarm condition



# Stands

## 12 Volt

- Keeps battery backup systems and batteries safe by elevating off the ground
- Heavy duty epoxy coated steel construction for durability
- For use with 12 volt group 27 and 31 battery boxes
- Works with almost all types of battery backup systems

## Sumpro®

- Designed specifically for Sumpro®, and Sumpro® Platinum battery backup systems
- Heavy duty epoxy coated construction for durability
- Keeps Sumpro® and batteries safe by elevating off the ground
- Rubber feet avoid surface scratching



Take Control.  
**ION**  
Packages



## Under Sink Basin Package

All parts included to install an under sink sump system



Ordering PN: MPK20293

1. WC33V With Vertical Switch
2. 1½" Check Valve
3. 1½" x 12" Sch. 40 PVC Discharge Pipe
4. Poly Water Box With Cover



37 Forestwood Dr., Romeoville, IL 60446 [www.ionproducts.net](http://www.ionproducts.net) [815] 886-9200

# WC33V

Sump Pump

## System Specifications

- Typical Applications
- Basement sump
  - Dewatering
  - Septic tank effluent

Maximum Capacity Up to 45 GPM

Maximum Head Up to 24'

Electrical Data 115 V, 1  $\emptyset$ , 4 FLA, 60 Hz

Motor Data  $\frac{1}{3}$  HP, 3450 RPM

Automatic Operation V: Vertical switch

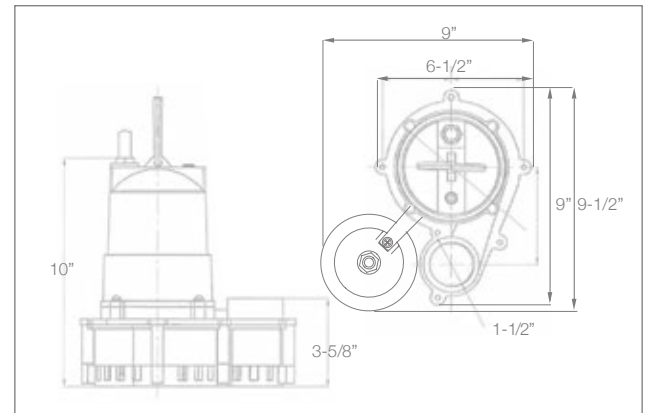
Materials of Construction Cast iron & engineered thermoplastic

Power Cord 10' Standard

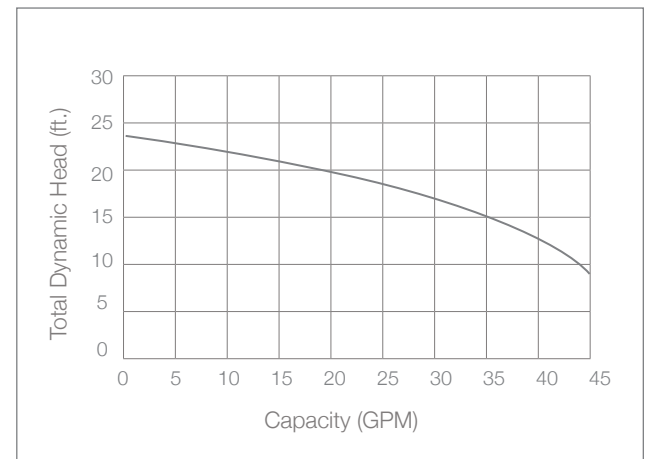
Discharge 1 $\frac{1}{2}$ " NPT

Solids  $\frac{1}{2}$ "

## Pump Dimensions



## Pump Performance



## Features

- Carbon ceramic mechanical seal
- Oil-filled high efficiency PSC motor that uses half the AC power of most  $\frac{1}{3}$  HP pumps
- 3 year warranty

Take Control.  
**ION**  
Packages



## SHV24X36 Basin Package

All parts included to install a 24" x 36" ejector system



Ordering PN: MPK20297

1. SHV40i Sewage Ejector
2. 2" Combination Check Ball Valve
3. 2" x 29" Sch. 40 PVC Discharge Pipe
4. Premium 24" x 36" Ultra Poly Basin
5. Epoxy Coated Steel Simplex Cover  
(Duplex Optional)
6. 4" Hub



Patent No. 8,591,198



37 Forestwood Dr., Romeoville, IL 60446 [www.ionproducts.net](http://www.ionproducts.net) [815] 886-9200



# SHV40i

Sewage Pump

## System Specifications

- Typical Applications
- Light commercial sewage
  - Residential sewage
  - High-capacity sump
  - Septic tank effluent

Maximum Capacity Up to 90 GPM

Maximum Head Up to 25'

Electrical Data 115 V, 1  $\emptyset$ , 8.5 FLA, 60 Hz

Motor Data ½ HP, 3450 RPM

Intermittent Liquid Temperature 130° F

Recommended Minimum Basin Size 18" x 30"

Automatic Operation i: Ion Digital Level Control (standard)

Materials of Construction Cast iron and stainless steel

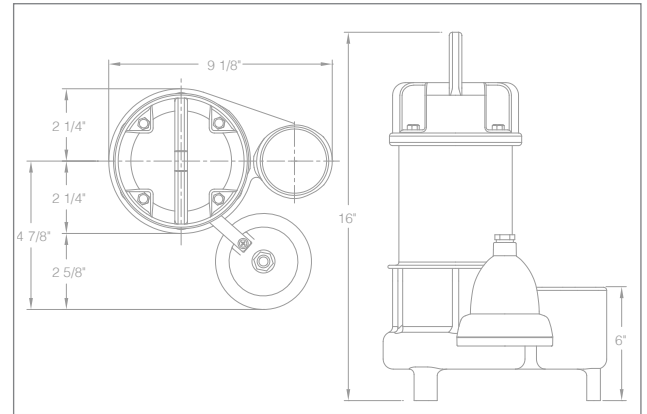
Impeller Cast iron vortex

Power Cord 20' Standard

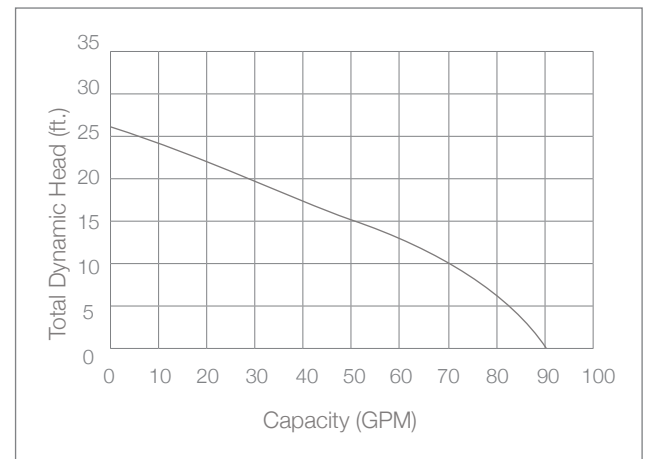
Discharge 2" NPT

Solids Handling 2"

## Pump Dimensions



## Pump Performance



## Features

- Carbon ceramic mechanical seal
- Automatic reset thermal overload for maximum protection
- Lower single-row ball-bearing construction
- Piggy back Ion® digital level control switch has no moving parts (standard)
- 3 year warranty

Take Control.  
**ION**  
Packages



## SHV24X24 Basin Package

All parts included to install a 24" x 24" ejector system

Ordering PN: TIS20255

1. SHV40i Sewage Ejector
2. 2" Combination Check Ball Valve
3. 2" x 29" Sch. 40 PVC Discharge Pipe
4. Premium 24" x 24" Ultra Poly Basin, Complete With Installed 4" Glue Combo Hub & Foam Gasket
5. Premium 2 Piece Structural Foam Split Cover Complete With Alarm Electrical Fitting Pre-drilled



37 Forestwood Dr., Romeoville, IL 60446 [www.ionproducts.net](http://www.ionproducts.net) [815] 886-9200

Patent No. 8,591,198

# SHV40i

Sewage Pump

## System Specifications

- Typical Applications
- Light commercial sewage
  - Residential sewage
  - High-capacity sump
  - Septic tank effluent

Maximum Capacity Up to 90 GPM

Maximum Head Up to 25'

Electrical Data • 115 V, 1  $\emptyset$ , 8.5 FLA, 60 Hz

Motor Data 1/2 HP, 3450 RPM

Intermittent Liquid Temperature 130° F

Recommended Minimum Basin Size 18" x 30"

Automatic Operation i: Ion Digital Level Control (standard)

Materials of Construction Cast iron and stainless steel

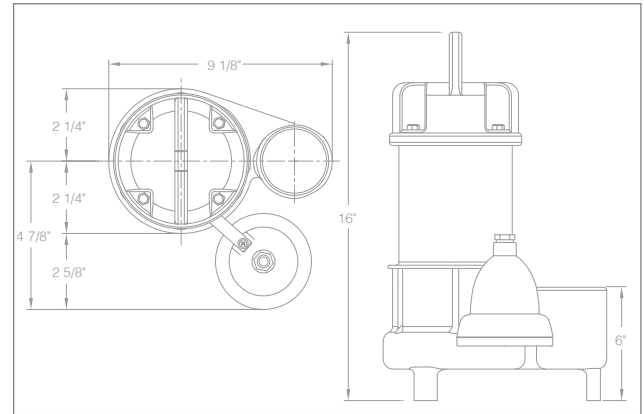
Impeller Cast iron vortex

Power Cord 20' Standard

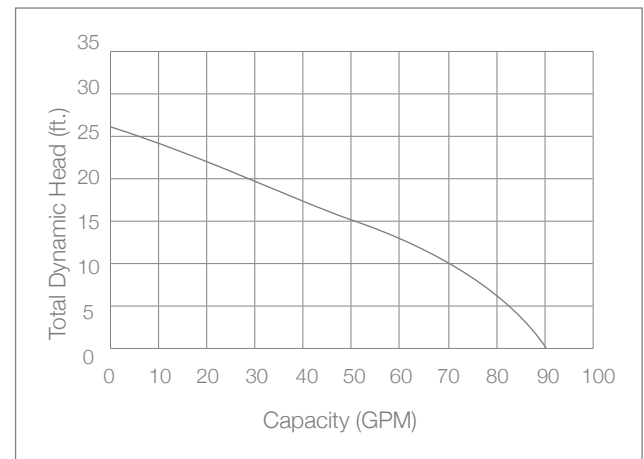
Discharge 2" NPT

Solids Handling 2"

## Pump Dimensions



## Pump Performance



## Features

- Carbon ceramic mechanical seal
- Automatic reset thermal overload for maximum protection
- Lower single-row ball-bearing construction
- Piggy back Ion® digital level control switch has no moving parts (standard)
- 3 year warranty

Take Control.  
**ION**  
Packages



## Econ Pit Package 18" X 30"

All parts included to install an 18" x 30" ejector system

Ordering PN: TIS20260

1. X-ONEi Sewage Ejector Pump with Ion® Switch
2. 2" x 29" Sch. 40 PVC Discharge Pipe
3. 18" x 30" Poly Basin
4. 18" Structural Foam Cover



37 Forestwood Dr., Romeoville, IL 60446 [www.ionproducts.net](http://www.ionproducts.net) [815] 886-9200

Patent No. 8,591,198

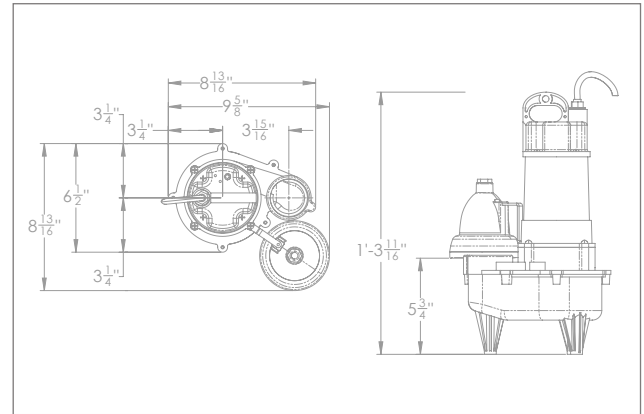
# X-ONEi

Submersible All In One Pump

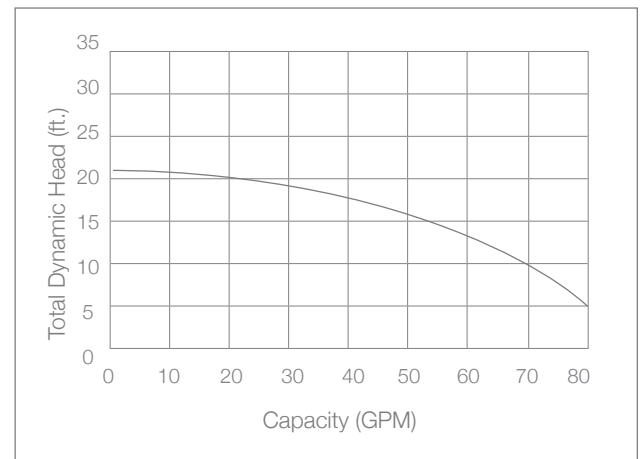
## System Specifications

Typical Applications	<ul style="list-style-type: none"><li>• Basement sump</li><li>• Sewage Ejector</li><li>• Septic tank effluent</li></ul>
Maximum Capacity	Up to 80 GPM
Maximum Head	Up to 21'
Electrical Data	115 V, 1 $\emptyset$ , 8.2 FLA, 60 Hz
Motor Data	1/2 HP, 3450 RPM
Intermittent Liquid Temperature	120° F
Recommended Minimum Basin Size	18" x 24"
Automatic Operation	i: Ion Digital Level Control (standard)
Materials of Construction	Cast iron & engineered thermoplastic
Power Cord	10' Standard
Discharge	2" with 1 1/2" reducer
Solids	1 1/2" to 2"

## Pump Dimensions



## Pump Performance



## Features

- Carbon ceramic mechanical seal
- Oil-filled motor with automatic reset thermal overload protection
- Upper and lower single-row ball-bearing construction
- Piggyback Ion® digital level control switch has no moving parts (standard)
- 3 year warranty

Take Control.  
**ION**  
 Packages



## BA24x24 Basin Package

All parts included to install a 24" x 24" sump system



Ordering PN:

1. BA33i Sump Pump
2. 1.5" Combination Check Ball Valve
3. 1.5" x 23" Sch. 40 PVC Discharge Pipe
4. Premium 24" x 24" Ultra Poly Basin, Complete With Installed 4" Glue Combo Hub & Foam Gasket
5. Premium 2 Piece Structural Foam Split Cover Complete With Alarm Electrical Fitting Pre-drilled



37 Forestwood Dr., Romeoville, IL 60446 [www.ionproducts.net](http://www.ionproducts.net) [815] 886-9200

Patent No. 8,591,198

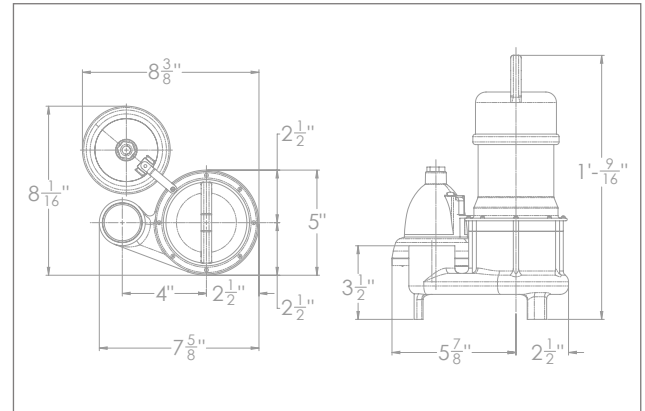
# BA33i

Sump Pump

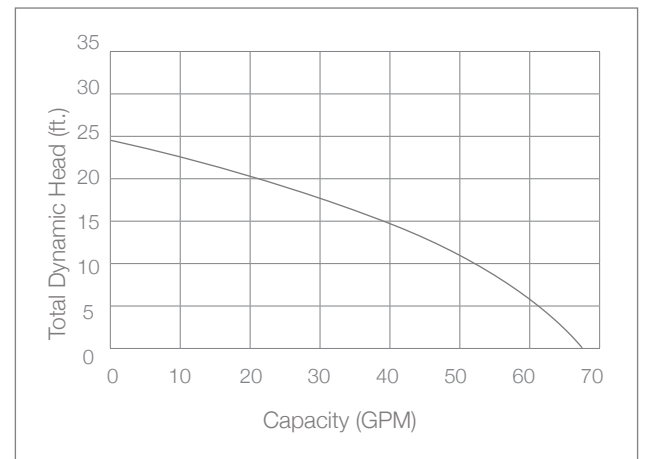
## System Specifications

Typical Applications	<ul style="list-style-type: none"><li>• Basement sump</li><li>• Dewatering</li></ul>
Maximum Capacity	Up to 68 GPM
Maximum Head	Up to 25'
Electrical Data	115 V, 1 Ø, 4.5 FLA, 60 Hz
Motor Data	1/3 HP, 3450 RPM
Automatic Operation	i: Ion Digital Level Control
Materials of Construction	Cast iron & stainless steel
Impeller	Thermoplastic vortex
Power Cord	10' Standard
Discharge Size	1½" NPT
Solids Handling	½"

## Pump Dimensions



## Pump Performance



## Features

- Energy efficient motor
- Carbon ceramic mechanical seal
- Thermal overload protection
- Piggy back Ion® digital level control switch has no moving parts (standard)
- Stainless steel screen prevents debris from entering the pump
- 3 year warranty

Take Control.  
**ION**  
Packages



## Econ Sump Package 18" X 24"

All parts included to install an 18" x 24" sump system

Ordering PN: TIS20278

1. WC33i with Ion® Switch
2. 1½" x 29" Sch. 40 PVC Discharge Pipe
3. 18" x 24" Poly Basin
4. 18" Structural Foam Cover
5. 4" Stop & Seal Rubber Hub



37 Forestwood Dr., Romeoville, IL 60446 [www.ionproducts.net](http://www.ionproducts.net) [815] 886-9200

Patent No. 8,591,198



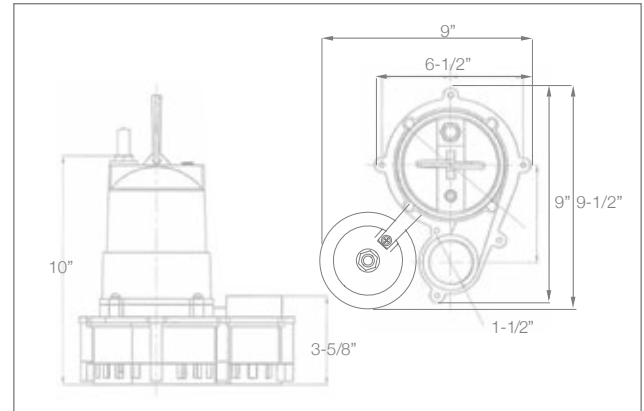
# WC33i

Sump Pump

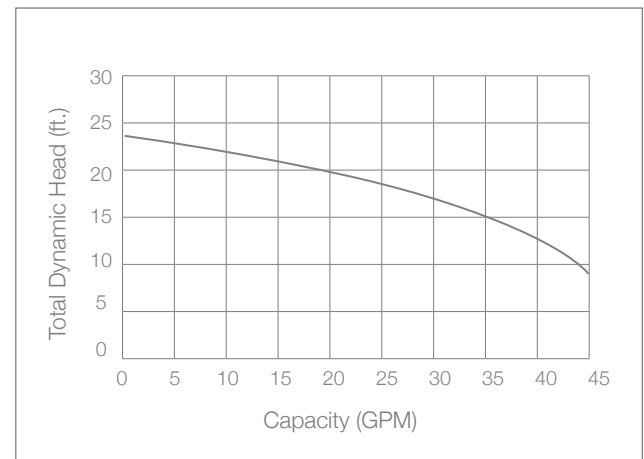
## System Specifications

Typical Applications	<ul style="list-style-type: none"><li>• Basement sump</li><li>• Dewatering</li><li>• Septic tank effluent</li></ul>
Maximum Capacity	Up to 45 GPM
Maximum Head	Up to 24'
Electrical Data	115 V, 1 $\emptyset$ , 4 FLA, 60 Hz
Motor Data	1/3 HP, 3450 RPM
Recommended Minimum Basin Size	18" x 24"
Automatic Operation	i: Ion Digital Level Control (standard)
Materials of Construction	Cast iron & engineered thermoplastic
Power Cord	10' Standard
Discharge	1 1/2" NPT
Solids	1/2"

## Pump Dimensions



## Pump Performance



## Features

- Carbon ceramic mechanical seal
- Oil-filled high efficiency PSC motor that uses half the AC power of most 1/3 HP pumps
- Piggyback Ion® digital level control switch has no moving parts (standard)
- 3 year warranty

Take Control.  
**ION**  
Packages



## Triple Poly Basin System 18" X 39"

Ordering PNs:

North Side Vents: TB1839TN

South Side Vents: TB1839TS

Designed to help garage areas and other facilities handle volatile wastes that they generate. Separates volatile wastes as they pass through the system of baffles and rise to the surface (meeting IL code). Includes three black epoxy-coated solid steel covers, cast iron inlet and discharge.

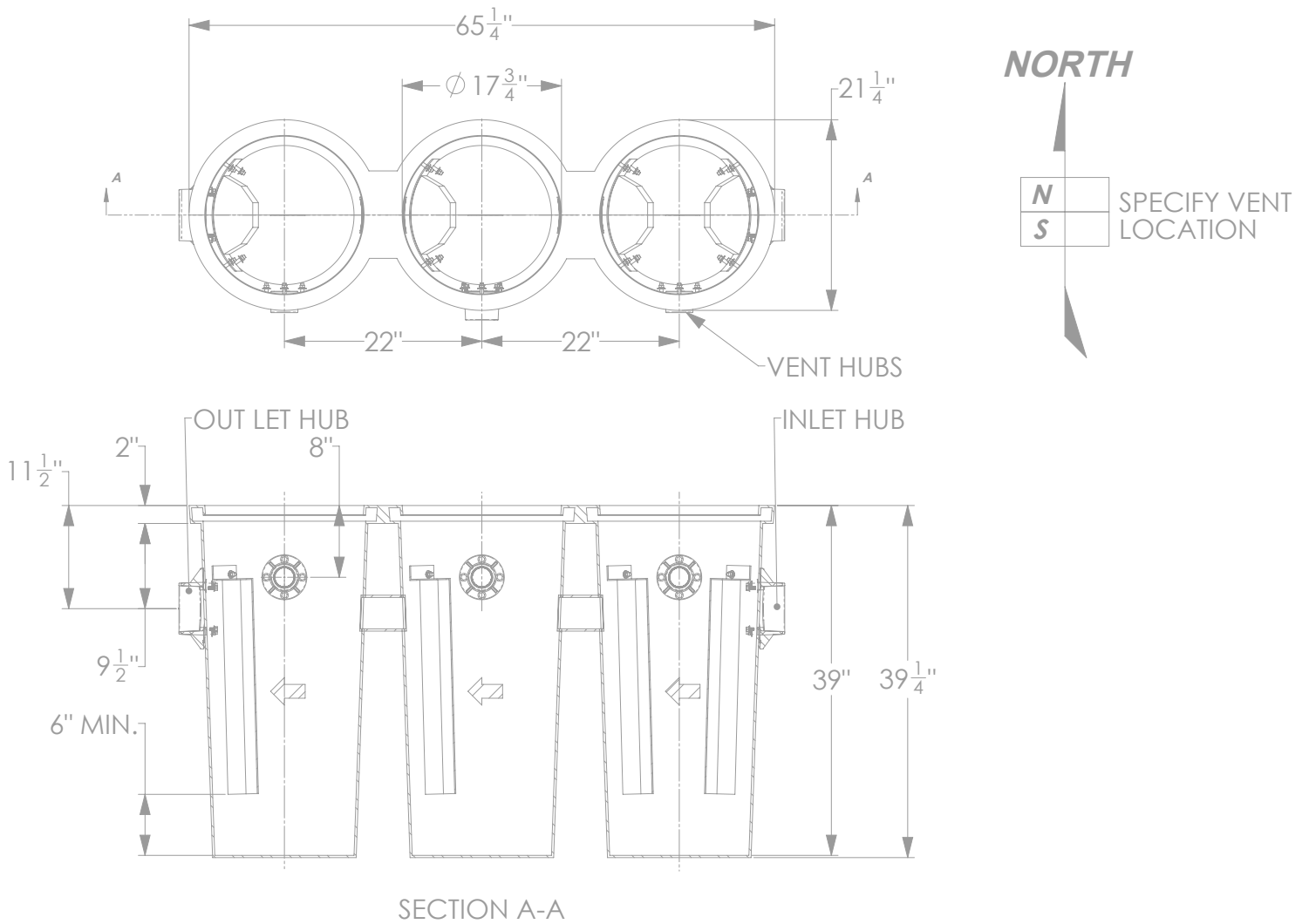
Larger sizes available in fiberglass. Please contact your Salesperson for more information.



37 Forestwood Dr., Romeoville, IL 60446 [www.ionproducts.net](http://www.ionproducts.net) [815] 886-9200

# Triple Poly Basin System

18" X 39"



## Features

- System of baffles
- Meets IL code
- Black epoxy-coated solid steel covers
- Cast iron inlet and discharge
- Larger sizes available in fiberglass
- 3 year warranty

 **Take Control.**<sup>®</sup>

**ION**<sup>®</sup>

**Products**

**37 Forestwood Dr. Romeoville, IL 60446**  
**[www.ionstormpro.com](http://www.ionstormpro.com) • [815] 886-9200**